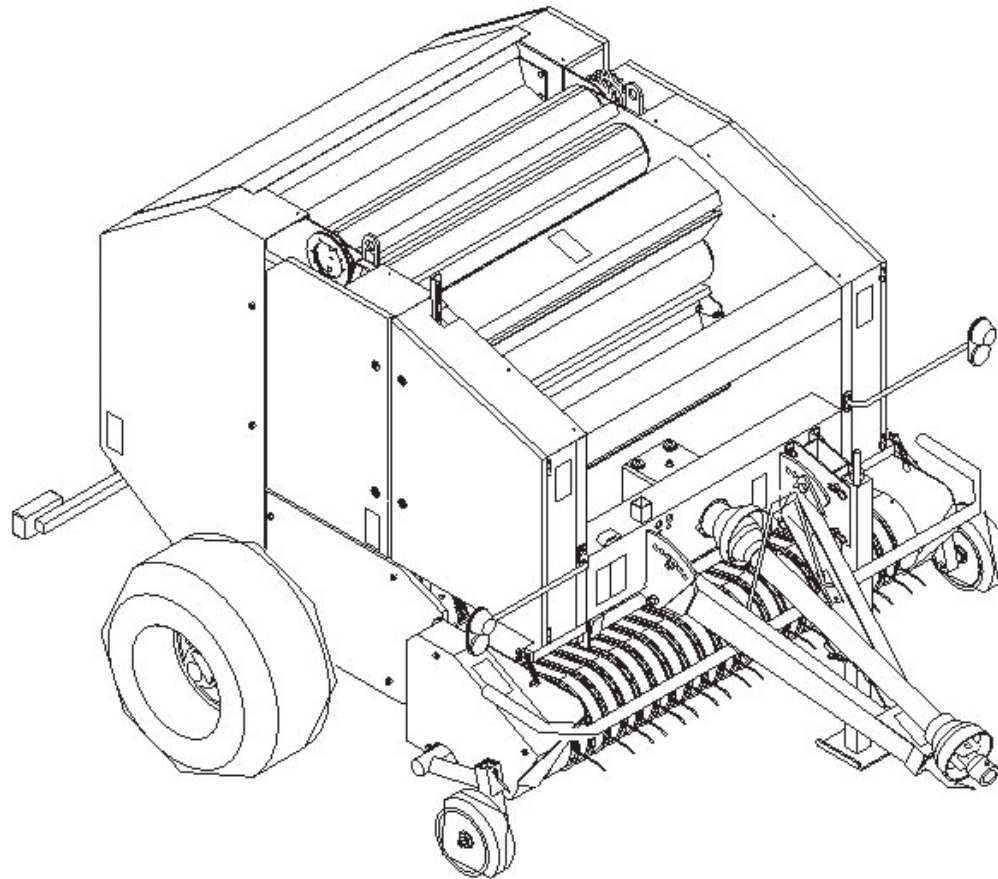


Spare parts catalogue
Z-562 Baling press



Year of issue 2011
Edition no. 4

LIST OF CATALOGUE ITEMS

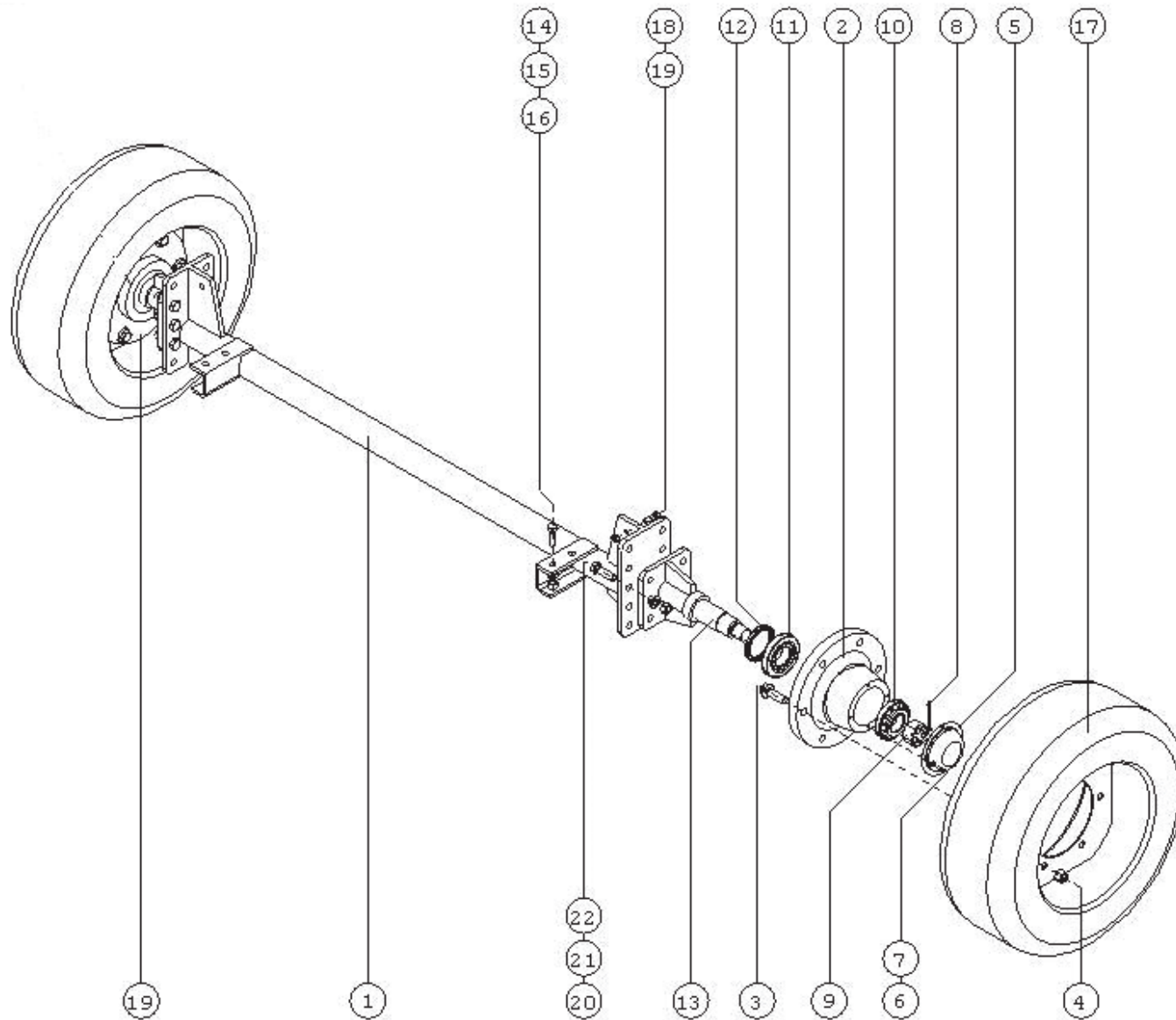
1.	Wheel axle, complete	4
2.	Tow bar, complete	6
3.	Press Body, complete (version with net wrapping)	8
4.	Bale release mechanism.....	10
5.	Bale ejector	14
6.	Power system	16
7.	Chain stretcher assembly	18
8.	Rolling shaft, complete, I	22
9.	Rolling shaft, complete, II	24
10.	Rolling shaft, complete, V	26
11.	Rolling shaft, complete, III	28
12.	Rolling shaft, complete, IV	30
13.	Rolling shaft, complete, VI	32
14.	Cord feeder assembly (version with net wrapping)	34
15.	Cord wrapping mechanism body	36
16.	Cord wrapping mechanism	40
17.	Worm gear	44
18.	Cord wrapping mechanism guards.....	46
19.	Hydraulic system	48
20.	Electrical system	52
21.	Collector, complete	54
22.	Pickup, complete	58
23.	Left side guards	68
24.	Right side guards	72
25.	Rear guards	76
26.	Net wrapping mechanism	80
27.	Central lubrication system	94

USING THE PARTS CATALOGUE

The Parts Catalogue includes drawing tables and descriptions of the baling press subassemblies with their assembly parts listing.

Use the Catalogue as follows:

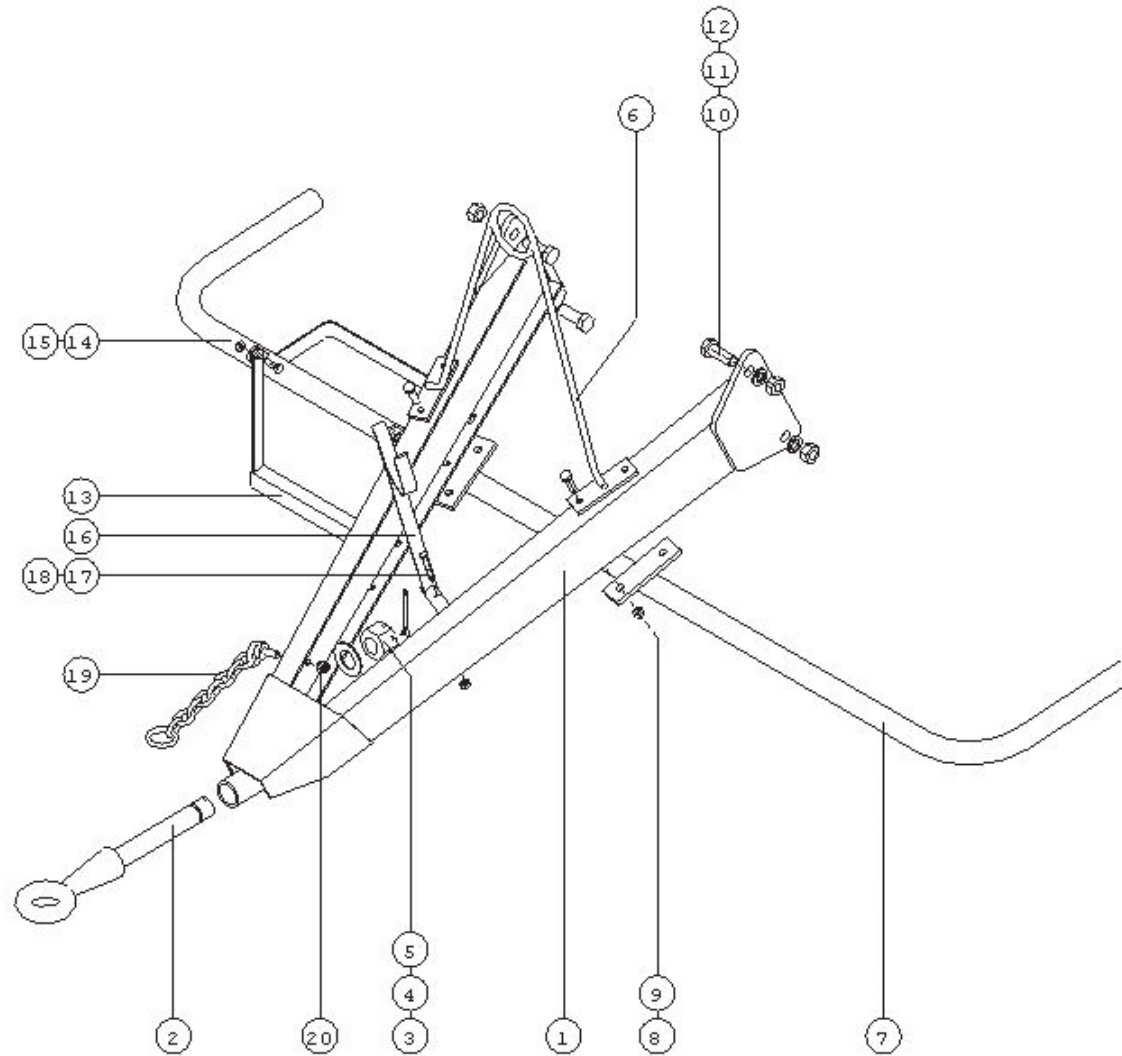
- 1) Determine which assembly of the machine houses the part to be replaced.
- 2) Find the applicable Catalogue table and then find the part in the table.
- 3) Using the part number in the drawing as the reference, find the appropriate drawing/standard number and part name in the table description.



Wheel axle, complete

WHEEL AXLE, COMPLETE

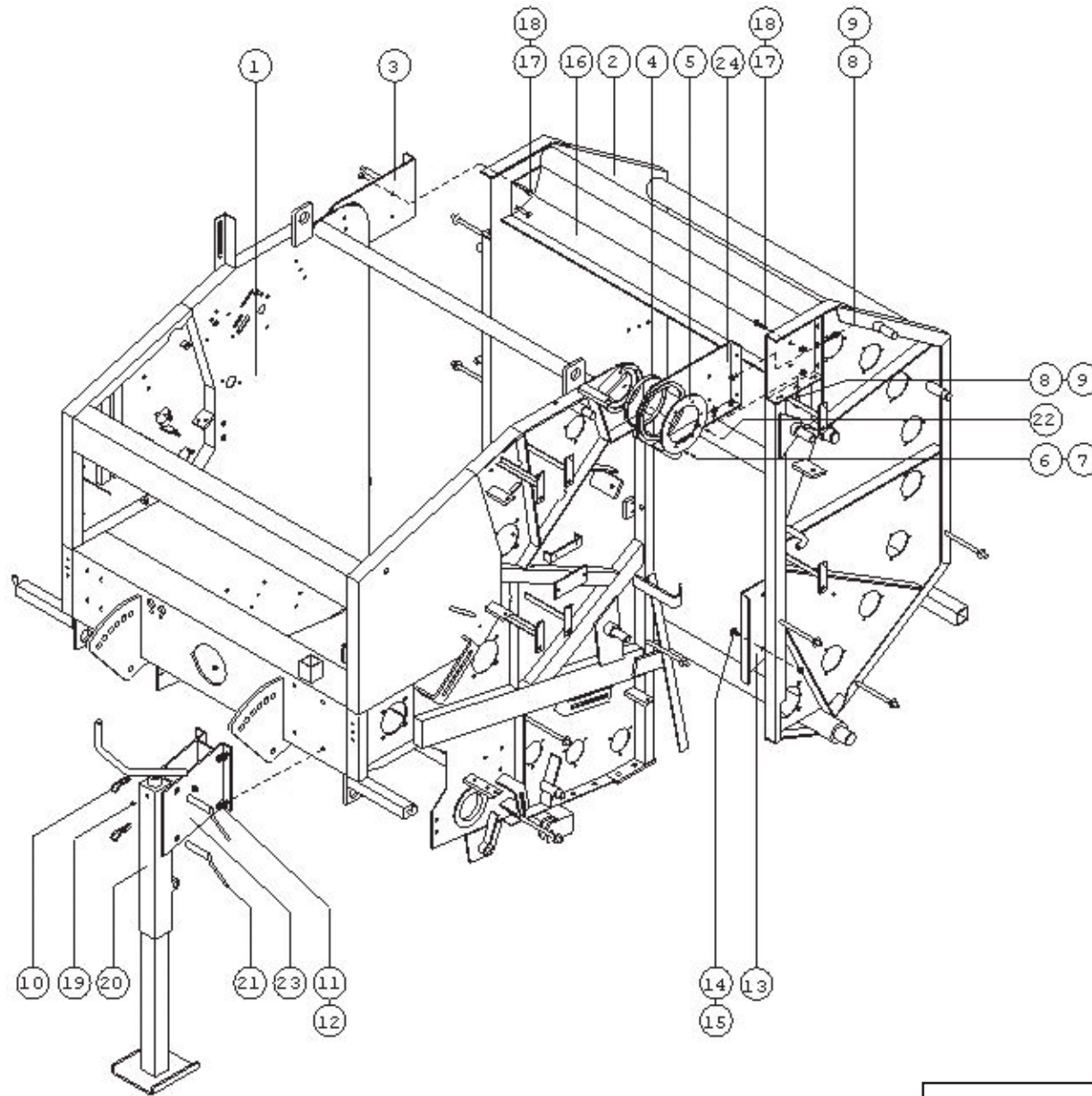
No. in dwg	Part name	Drawing or standard no.	Number of pieces		
			Z562	Z562/1	Z562/2
1	Primary axle	Z-562 0080.001.000	1		
2	Hub		1		
3	Pin, M18x1.5x55 – 8.8 – B		12		
4	Ball nut, M18 8 – B		12		
5	Hub cover		2		
6	Bolt, M6x16 5.8 – B	PN/M – 82105	8		
7	Plain washer, \varnothing 6.5	PN/M – 82030	8		
8	Cotter pin, 6.3x71	PN/M – 82001	2		
9	Nut, M36 8 – B	PN/M – 82148	2		
10	Cone bearing, 32210 RS	PN – ISO 355:1997	2		
11	Cone bearing, 32211 RS	PN – ISO 355:1997	2		
12	Sealing ring	A75x100x10	2		
13	Axle shaft	Z-562 099.000.000	2		
14	Bolt, M6x40 8.8 – B	PN/M – 82105	4		
15	Nut, M16 8 – B	PN/M – 82144	4		
16	Spring washer, 16.3	PN/M – 82008	4		
17	Wheel, complete	400\60 – 15.5 – 14PR	2		
18	Bolt, M12x40 5.8 – B	PN/M – 82105	2		
19	Nut, M12 5 – B	PN/M – 82175	2		
20	Bolt, M20x60 8.8 – B	PN/M – 82105	12		
21	Spring washer, 20.5	PN/M – 82008	12		
22	Nut, M20 8 – B	PN/M – 82144	12		



Drawbar, complete

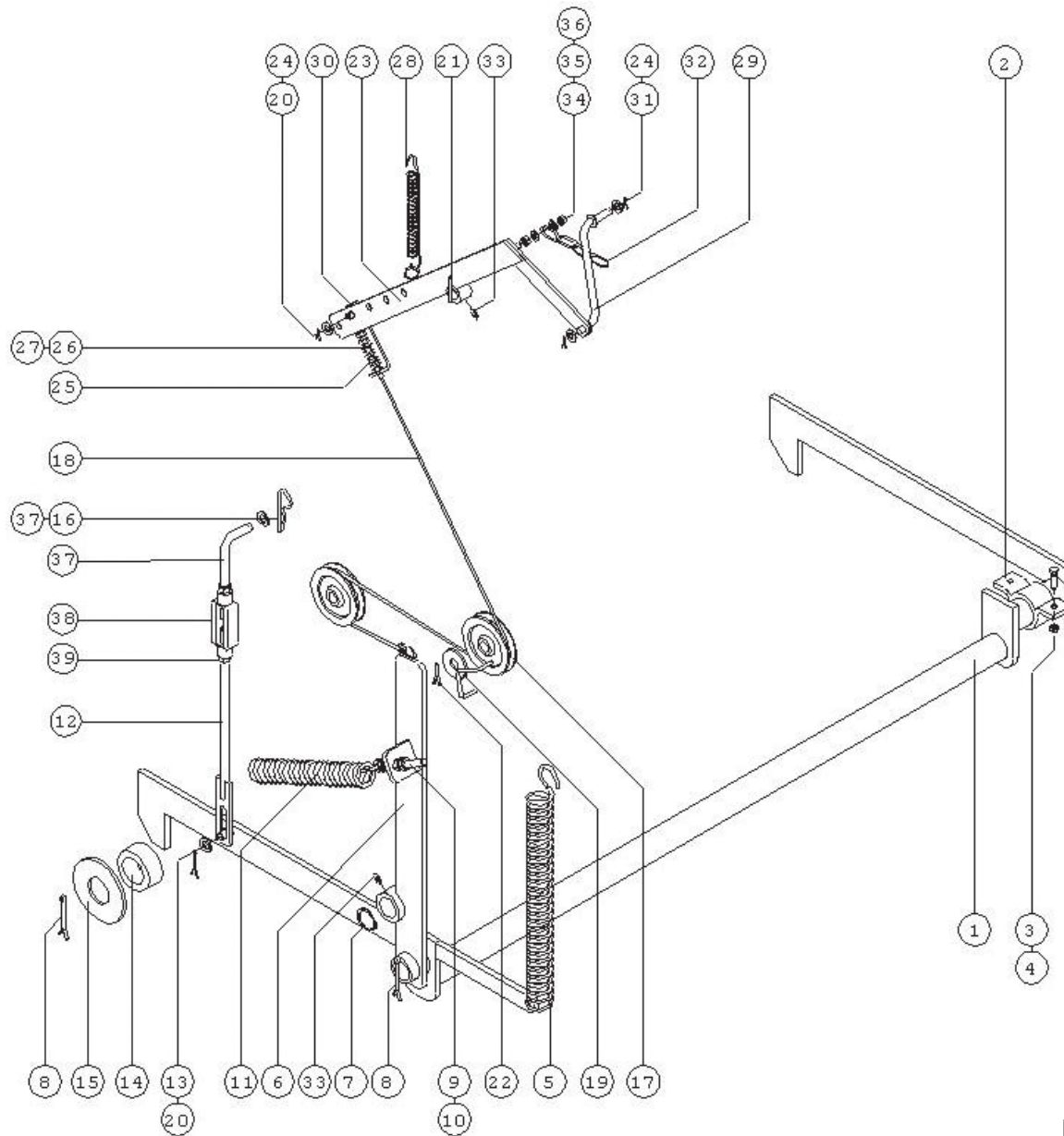
TOW BAR, COMPLETE

No. in dwg	Part name	Drawing or standard no.	Number of pieces		
			Z562	Z562/1	Z562/2
1	Front hitch	Z-562 002.000.000	1		
	Front hitch	Z-562 002.000.000R	8 openings for the installation of the step support pipe		
2	Tow bar eye	Z-562 002.000.005A	1		
3	Plain washer, Ø37	PN/M - 82005	1		
4	Nut, A M36 5 - B	PN/M - 82159	1		
5	Cotter pin, 6.3x71	PN/M - 82001	1		
6	Cable bracket	Z-562 000.217.000	1		
7	Step pipe	Z-562 000.003.000R	1		
8	Bolt, M8x35 5.8 - B	PN/M - 82105	4		
9	Nut, M8 5 - B	PN/M - 82175	4		
10	Bolt, M20x50 8.8 - B	PN/M - 82105	4		
11	Nut, M20 5 - B	PN/M - 82144	4		
12	Spring washer, 20.5	PN/M - 82008	4		
13	Step II	Z-562 000.003.500	1		
14	Bolt, M10x25 8.8 - B	PN/M - 82105	2		
15	Nut, M10 8 - B	PN/M - 82175	2		
16	PTO support	Z-562 002.010.000	1		
17	Bolt, M8x45 8 - B	PN/M - 82101	1		
18	Nut, M8 8 - B	PN/M - 82175	1		
19	Chain	Z-562 002.600.000	1		
20	Nut, M12 8 - B	PN/M - 82175	1		



Press body, complete

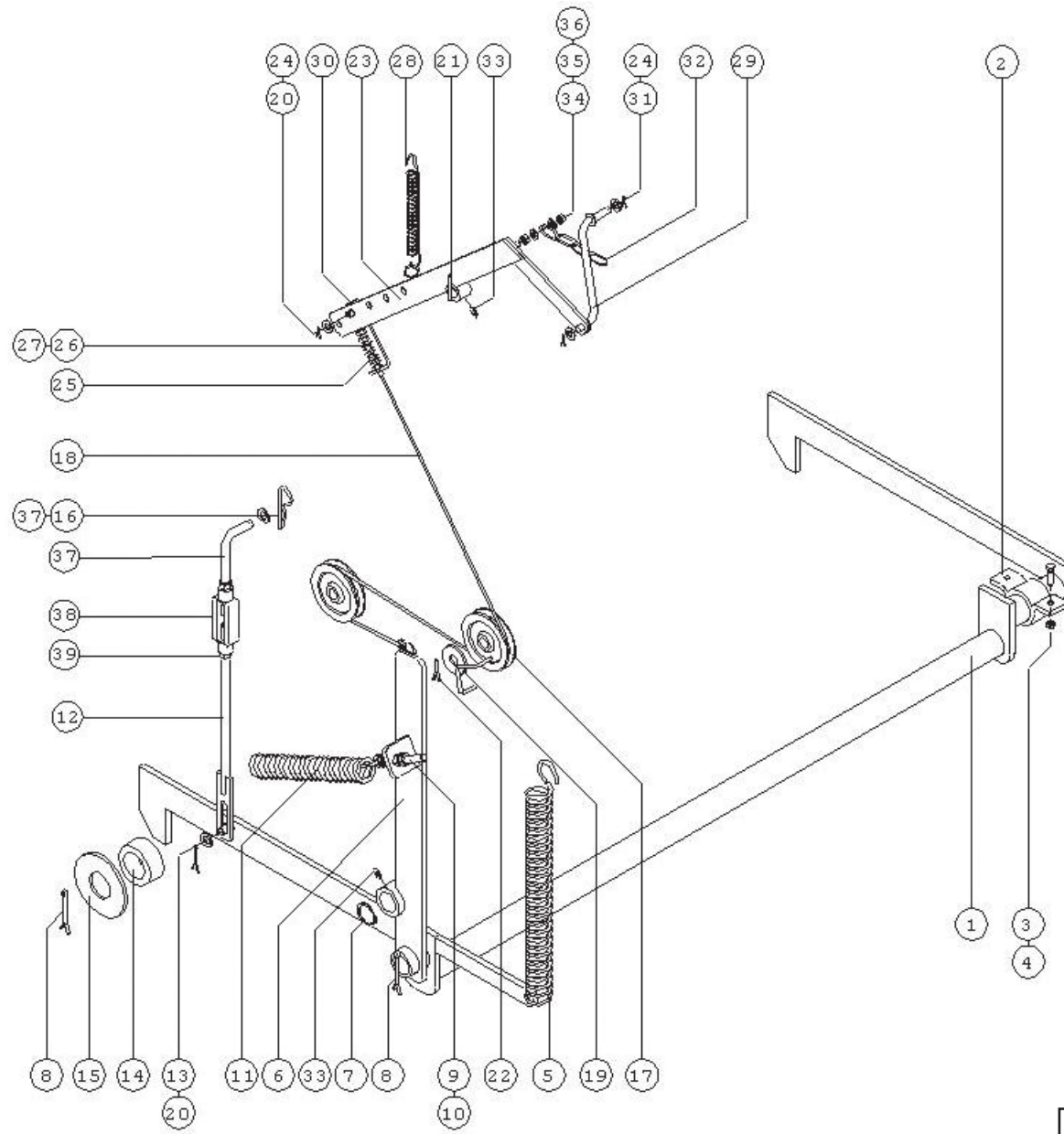
<i>PRESS BODY, COMPLETE – version with net wrapping</i>					
No. in dwg	Part name	Drawing or standard no.	Number of pieces		
			Z562	Z562/1	Z562/2
1	Front body	Z-562 001.001.000/S	1		
2	Rear body	Z-562 001.002.000	1		
3	Right fastener	Z-562 000.005.000P	1		
4	Slip ring	Z-562 000.000.006	2		
5	Cover	Z-562 000.000.007	2		
6	Bolt, M6x16 8.8 – B	PN/M – 82105	12		
7	Plain washer, Ø6.5	PN/M – 82030	12		
8	Bolt, M12x30 8.8 – B	PN/M – 82105	12		
9	Nut, M12 5 – B	PN/M – 82175	12		
10	Pin – cotter pin, Ø5	DIN 11024	2		
11	Bolt, M12x30 8.8 – B	PN/M – 82105	4		
12	Nut, M12 5 – B	PN/M – 82175	4		
13	Inner sheet panel, left	Z-562 000.000.202L	1		
14	Bolt, M10x30 5.8 – B	PN/M – 82406	6		
15	Nut, M10 5 – B	PN/M – 82175	6		
16	Inner guard I	Z-562 000.027.000	1		
17	Bolt, M10x30 8.8 – B	PN/M – 82105	4		
18	Nut, M10 5 – B	PN/M – 82175	4		
19	Grease nipple, M10x1	PN/M – 86003	1		
20	Support foot	Z-562 067.000.000	1		
21	Pin – foot pin	Z-562 000.212.000	2		
22	Grease nipple, M6x1	PN/M – 86003	4		
23	Foot support	Z-562 000.211.000	1	L = 260	
	Foot support	Z-562 000.211.000R	1	L = 300	
24	Left fastener	Z-562 000.005.000L	1		
(13)	Inner sheet panel, right	Z-562 000.000.202P	1		



Bale release mechanism

BALE RELEASE MECHANISM

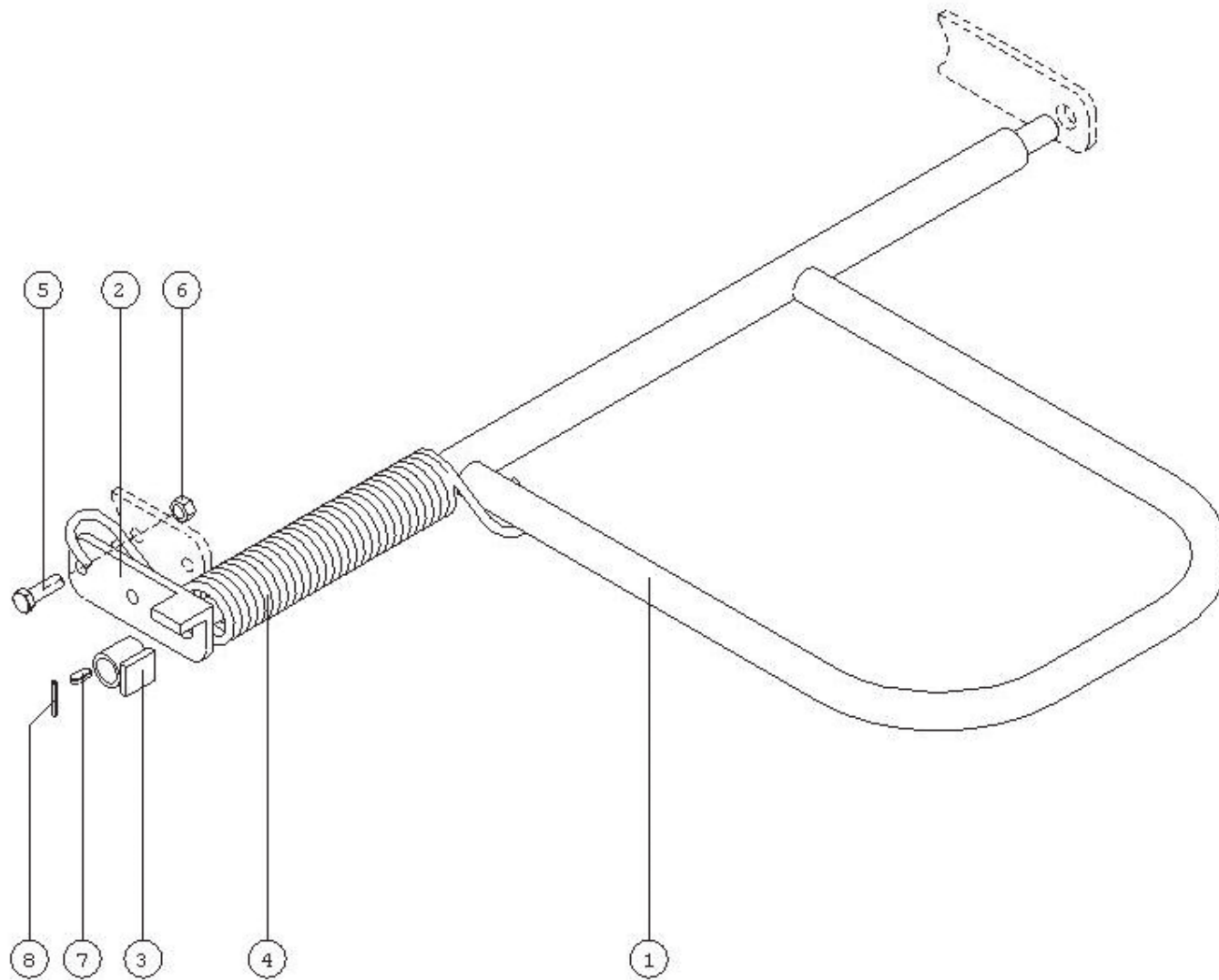
No. in dwg	Part name	Drawing or standard no.	Number of pieces		
			Z562	Z562/1	Z562/2
1	Lock lever	Z-562 000.009.000	1		
2	Pin, Ø4	DIN 11024	1		
3	Bolt, M12x40 5.8 – B	PN/M – 82105	2		
4	Nut, M12 5 – B	PN/M – 82175	2		
5	Spring III	Z-562 000.000.056	1		
6	Lock lever I	Z-562 000.010.000	1		
7	Spring ring, Z35	PN/M – 85111	1		
8	Cotter pin, 6.3x71	PN/M – 82001	3		
9	Bolt, M12x100 5.8	PN/M – 82105	1		
10	Nut, M12 5 – B	PN/M – 82144	3		
11	Spring VII	Z-562 000.000.060	1		
12	Fastener II	Z-562 015.002.000	1		
13	Plain washer, Ø10.5	PN/M – 82005	1		
14	Lock axis bush	Z-562 001.000.008	2		
15	Lock axis washer	Z-562 001.000.009	2		
16	Plain washer, Ø17	PN/M – 82005	1		
17	Cable adjustment wheel	Z-562 000.000.024	2		
18	Cable, complete	Z-562 000.025.000	1		
19	Cable protection	Z-562 000.026.000.1	2		
20	Cotter pin, 3x36	PN/M – 82001	2		
21	Spring pin, 6x45	PN/M – 85023	1		
22	Cotter pin, 5x50	PN/M – 82001	2		
23	Lock lever II	Z-562 011.000.000	1		
24	Plain washer, Ø10.5	PN/M – 82030	3		



Bale release mechanism

BALE RELEASE MECHANISM

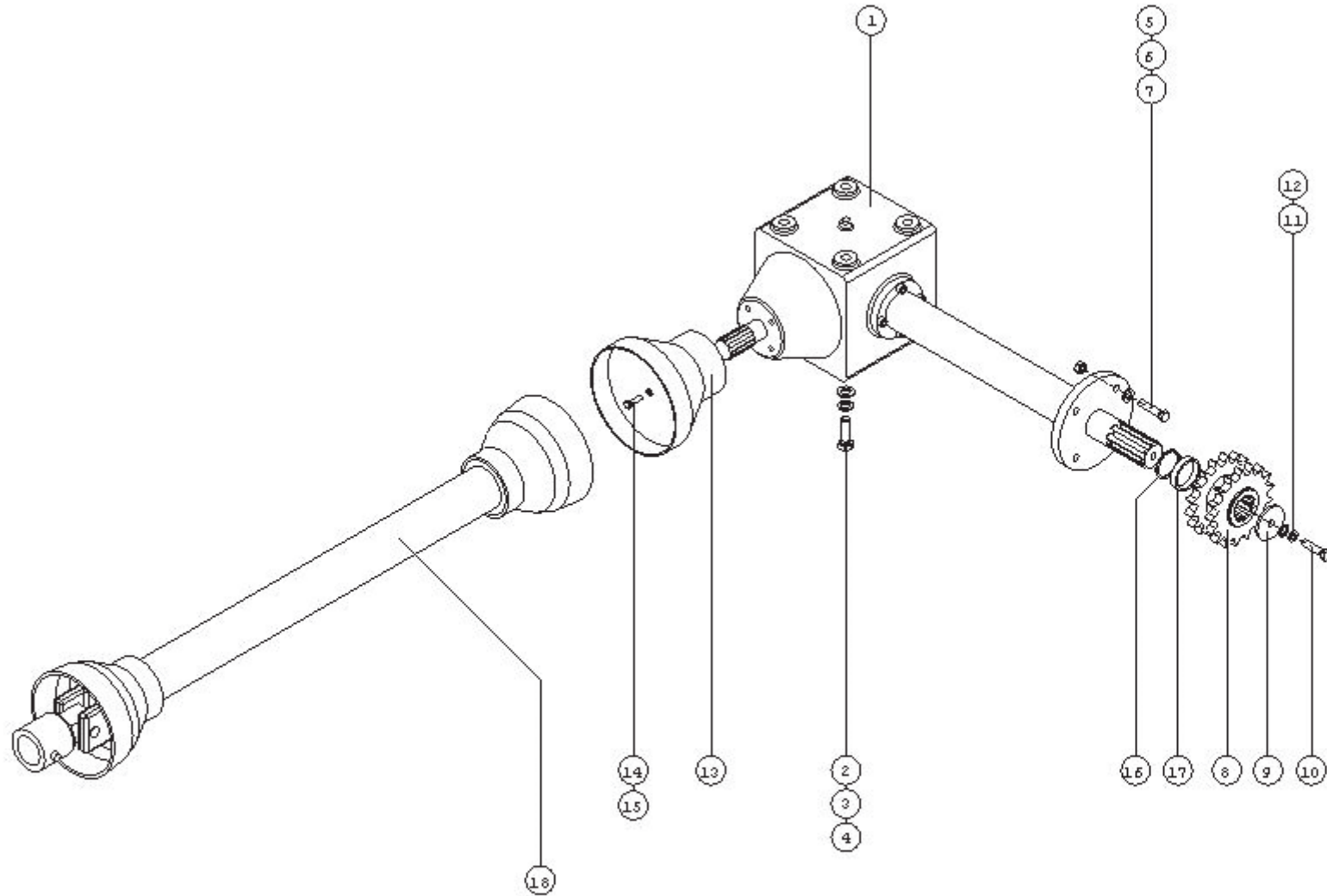
No. in dwg	Part name	Drawing or standard no.	Number of pieces		
			Z562	Z562/1	Z562/2
25	Spring VI	Z-562 000.000.059	1		
26	Nut, M10 5 - B	PN/M - 82144	2		
27	Plain washer, Ø10.5	PN/M - 82005	2		
28	Spring I	Z-562 000.000.054	1		
29	Lever	Z-562 011.005.000	1		
30	Flat bar	Z-562 011.004.001	1		
31	Cotter pin, 3x28	PN/M - 82001	2		
32	Farming chain, Ø4x16x40	4 links	1		
33	Grease nipple, M6x1	PN/M - 86003	2		
34	Plain washer, Ø8.5	PN/M - 82030	2		
35	Nut, M8 5 - B	PN/M - 82144	1		
36	Nut, M8 5 - B	PN/M - 82175	1		
37	Fastener I	Z-562 015.000.001	1		
38	String nut, M16	23NC	1		
39	Nut, M16 5 - B	PN/M - 82144	1		



Bale ejector

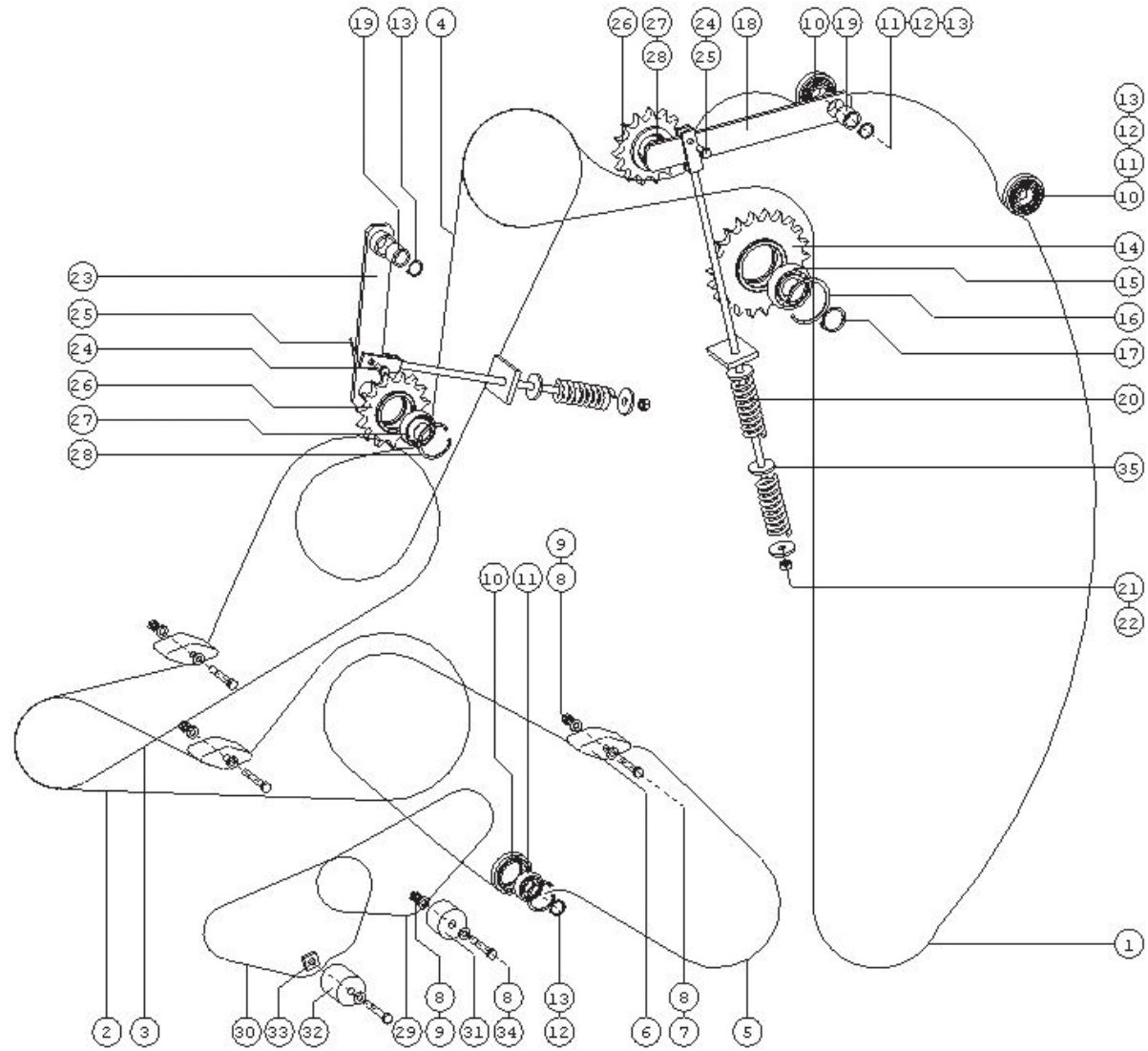
BALE EJECTOR

No. in dwg	Part name	Drawing or standard no.	Number of pieces		
			Z562	Z562/1	Z562/2
1	Bale ejector	Z-562 000.079.000	1		
2	Bracket	Z-562 008.002.000	1		
3	Ejector lock	Z-562 000.204.000	1		
4	Spring	Z-562 000.000.206	1		
5	Bolt, M16x50 8.8 – B	PN/M – 82105	2		
6	Nut, M16 5 – B	PN/M – 82175	2		
7	Key, A8x7x36	PN/M – 85005	1		
8	Spring pin, 6x45	PN/M – 85023	1		



Power system

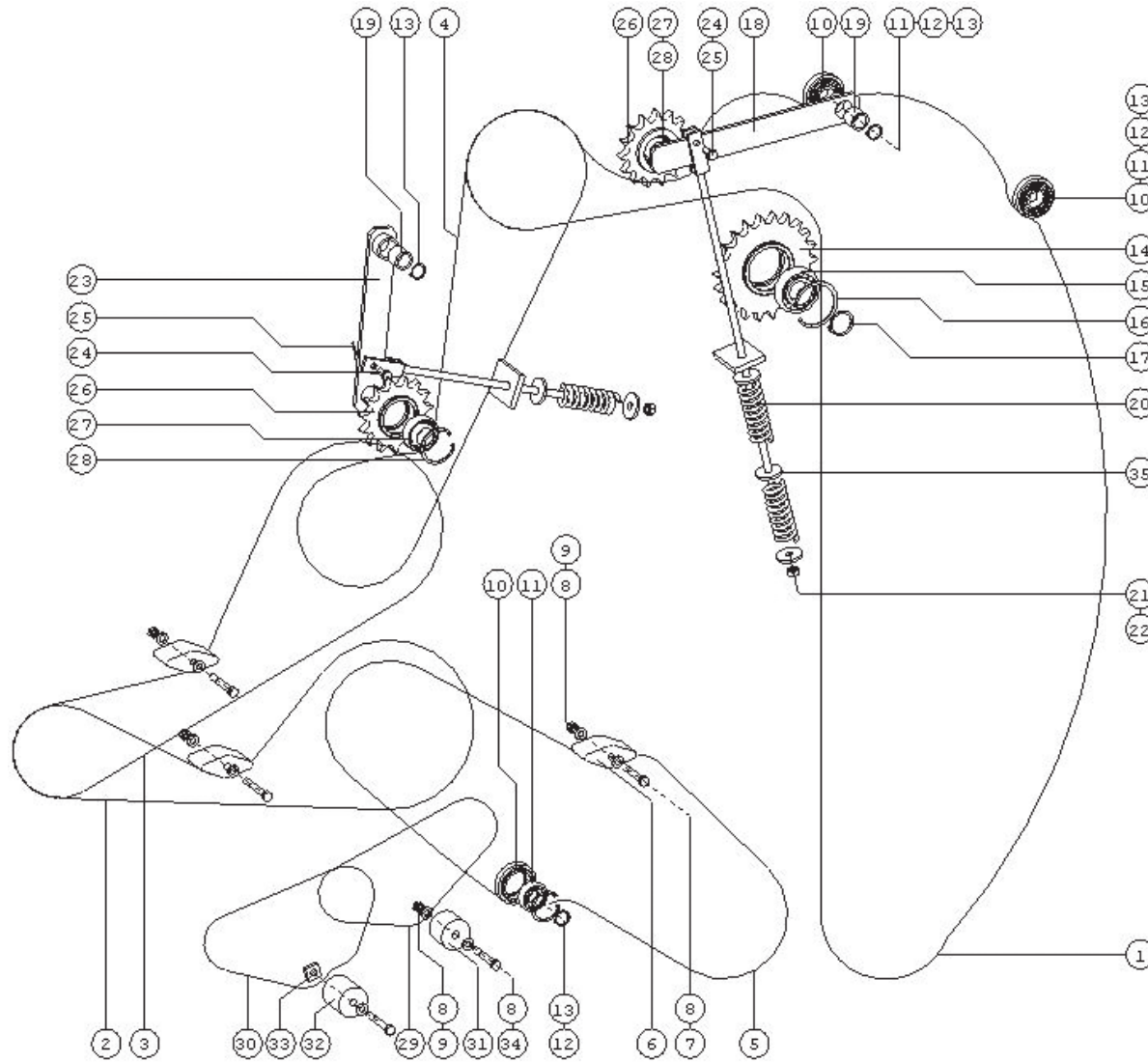
<i>POWER SYSTEM</i>					
No. in dwg	Part name	Drawing or standard no.	Number of pieces		
			Z562	Z562/1	Z562/2
1	Final intersecting axis gear	MB 06.00 or P120	1		
2	Bolt, M6x40 8.8 - B	PN/M - 82105	4		
3	Plain washer, Ø17	PN/M - 82005	4		
4	Spring washer, 16.3	PN/M - 82008	4		
5	Bolt, M12x50 8.8 - B	PN/M - 82105	4		
6	Plain washer, Ø13	PN/M - 82005	4		
7	Nut, M12 5 - B	PN/M - 82175	4		
8	Drive wheel Z-17	Z-562 000.064.000	1		
9	Washer I	Z-562 000.000.069	1		
10	Bolt, M12x50 8.8 - B	PN/M - 82105	1		
11	Plain washer, Ø13	PN/M - 82005	1		
12	Spring washer, 12.2	PN/M - 82008	1		
13	Shaft mounting guard	POD-OST-000001	1		
14	Bolt, M10x25 5.8 - B	PN/M - 82105	4		
15	Plain washer, Ø10.5	PN/M - 82030	4		
16	Spring ring, Z - 50	PN/M - 85111	1		
(17)	Spacing bushing III	Z-562 000.000.065	1		
17	Bushing (l=75)	Z-562 070.000.001	1		
18	Drive shaft	6R - 602 - 7 - B1	1		



Chain stretcher assembly

CHAIN STRETCHER ASSEMBLY

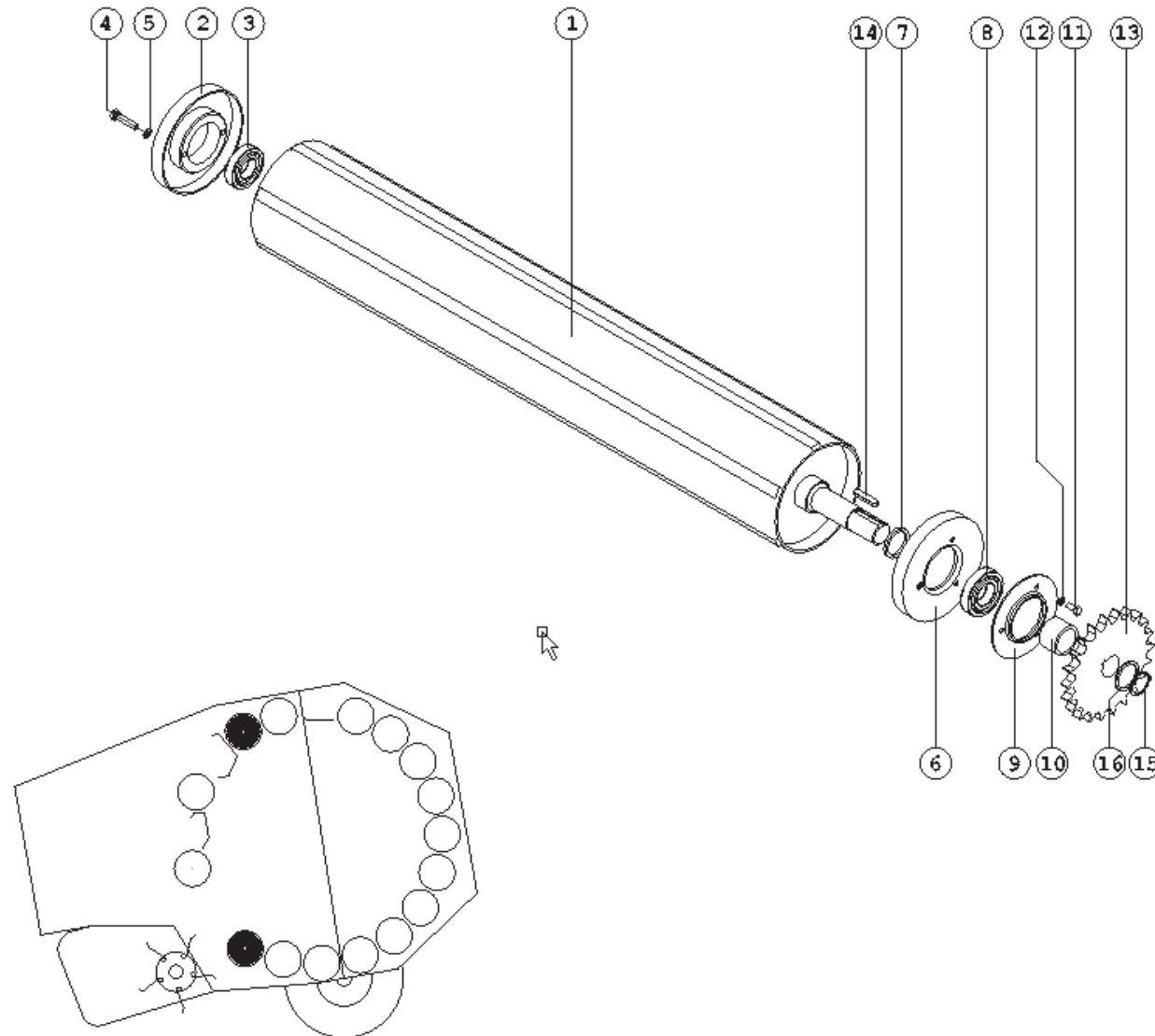
No. in dwg	Part name	Drawing or standard no.	Number of pieces		
			Z562	Z562/1	Z562/2
1	Chain, 1", 169 links	PN/M – 84168	1		
2	Chain, 1", 58 links	PN/M – 84168	1		
3	Chain, 1", 78 links	PN/M – 84168	1		
4	Chain, 1", 69 links	PN/M – 84168	1		
5	Chain, 1", 92 links	PN/M – 84168	1		
6	Chain stretcher slide I	Z-562 000.000.036	3		
7	Bolt, M12x100 5.8 – B	PN/M – 82101	3		
8	Plain washer, Ø13	PN/M – 82005	9		
9	Nut, M12 5 – B	PN/M – 82175	4		
10	Chain stretcher roll	Z-562 000.000.039	3		
11	Bearing, 6205 RS	PN/M – 86100	3		
12	Spring ring, W – 52	PN/M – 85111	3		
13	Spring ring, Z – 25	PN/M – 85111	4		
14	Wheel, Z – 22	Z-562 000.074.000	1		
15	Bearing, 6208S	PN/M – 86100	1		
16	Spring ring, W – 80	PN/M – 85111	1		
17	Spring ring, Z – 40	PN/M – 85111	1		
18	Chain stretcher lever I	Z-562 037.000.000	1		
19	Slide bushing	Z-562 037.000.004	2		
20	Spring V	Z-562 000.000.058	3		
21	Washer I	Z-562 000.000.137	4		
22	Nut, M12 5 – B	PN/M – 82175	2		
23	Chain stretcher lever II	Z-562 038.000.000	1		
24	Rivet, 10x30	PN/M – 82952	2		



Chain stretcher assembly

CHAIN STRETCHER ASSEMBLY

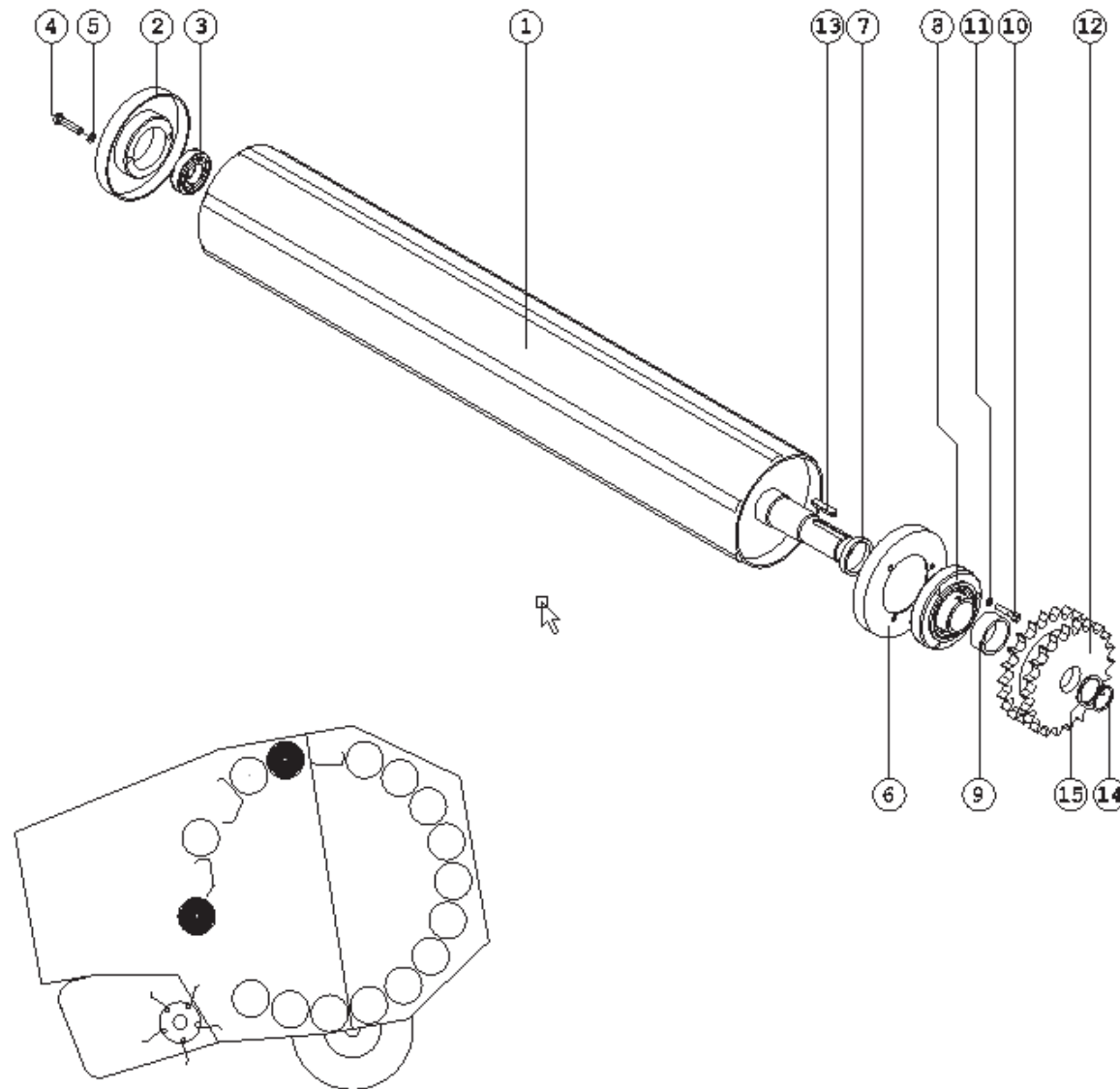
No. in dwg	Part name	Drawing or standard no.	Number of pieces		
			Z562	Z562/1	Z562/2
25	Cotter pin, 3x36	PN/M – 82001	2		
26	Wheel, Z – 15	Z-562 000.040.000	2		
27	Bearing, RAE 30NPP FA106		2		
28	Spring ring, W – 62	PN/M – 85111	2		
29	Chain, ¾", reinforced, 50 links	PN/M – 84168	1		
30	Chain, ¾", reinforced, 39 links	PN/M – 84168	1		
31	Slide II	Z-562 000.000.207	1		
23	Slide III	Z-562 000.000.208	1		
33	Plate, M12	Z-562 000.000.205	1		
34	Bolt, M12x80 5.8 – B	PN/M – 82101	2		
35	Washer II	Z-562 000.000.200	1		



Rolling shaft, complete I

ROLLING SHAFT, COMPLETE, I

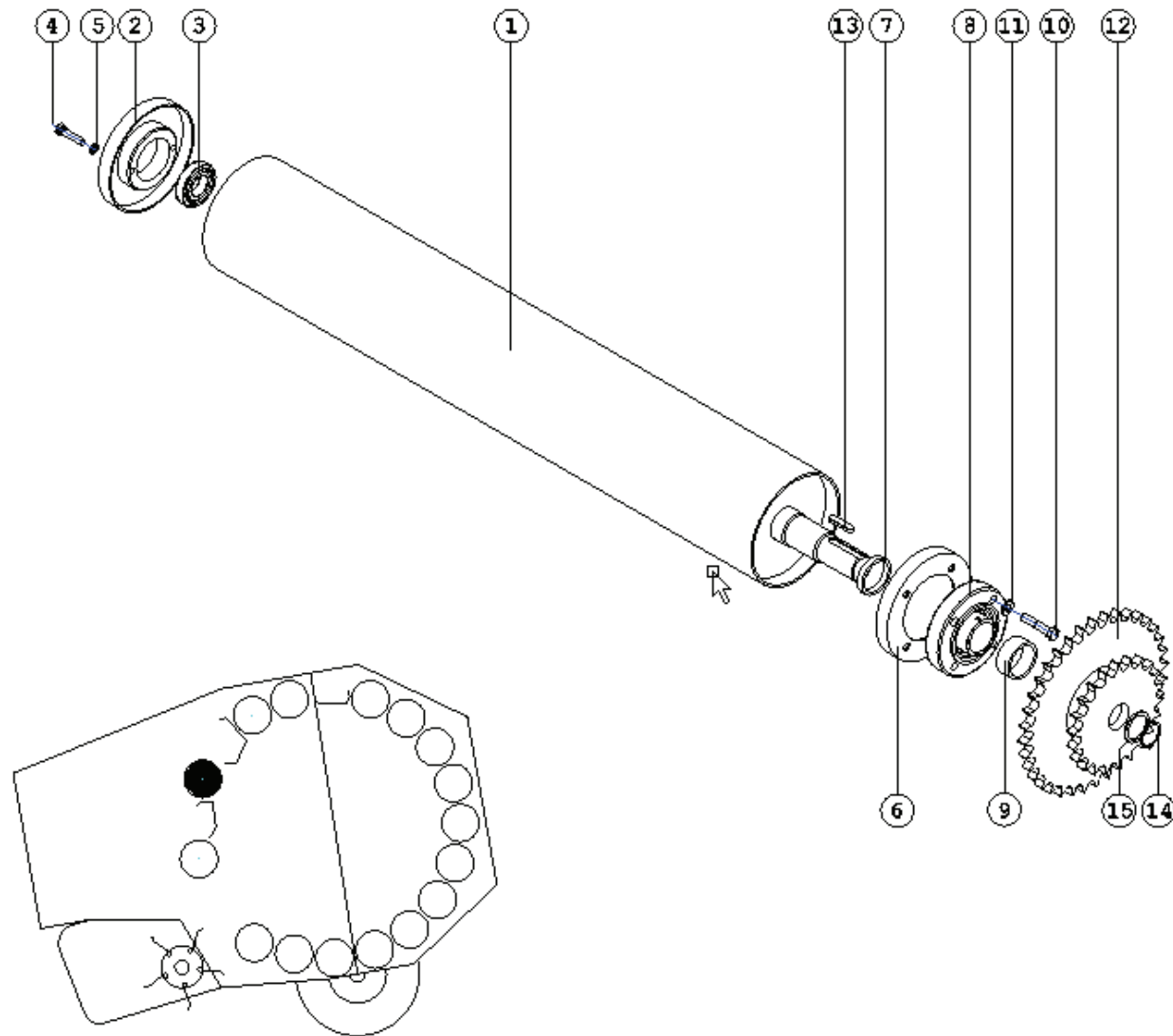
No. in dwg	Part name	Drawing or standard no.	Number of pieces		
			Z562	Z562/1	Z562/2
1	Rolling shaft I	Z-562 000.071.000	1		
2	Bottom cap III	Z-562 000.077.000	1		
3	Bearing, K6207 RS	PN/M - 86120	1		
4	Bolt, M10x30 8.8 - B	PN/M - 82105	2		
5	Spring washer, Ø10.2	PN/M - 82008	2		
6	Bottom cap I	Z-562 000.075.000	1		
7	Special washer	Z-562 000.000.090	1		
8	Bearing, K6208 RS	PN/M - 86120	1		
9	Bearing housing, P208	Z-562 000.000.080	1		
10	Spacing bushing IV	Z-562 000.000.086	1		
11	Bolt, M8x30 8.8 - B	PN/M - 82105	3		
12	Spring washer, Ø8.2	PN/M - 82008	3		
13	Wheel, Z - 22 / Z - 23	Z-562 000.082.000	1		
14	Key, A10x8x50	PN/M - 85005	1		
15	Spring ring, Z - 38	PN/M - 85111	1		
16	Plain washer, Ø39	PN/M - 82005	1		



Rolling shaft, complete II

ROLLING SHAFT, COMPLETE, II

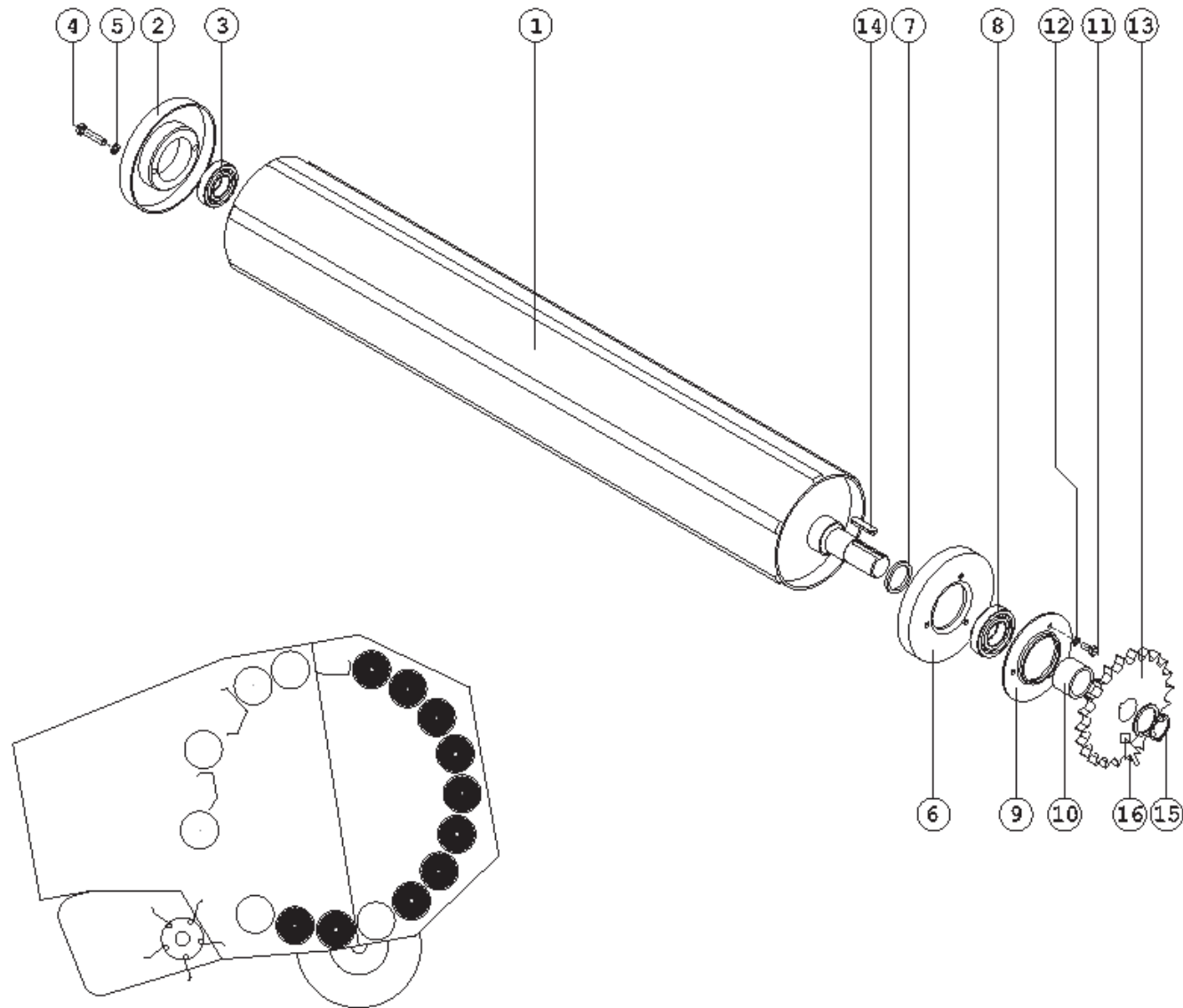
No. in dwg	Part name	Drawing or standard no.	Number of pieces		
			Z562	Z562/1	Z562/2
1	Rolling shaft II	Z-562 000.072.000	1		
2	Bottom cap III	Z-562 000.077.000	1		
3	Bearing, K6207 RS	PN/M - 86120	1		
4	Bolt, M10x30 8.8 - B	PN/M - 82105	2		
5	Spring washer, Ø10.2	PN/M - 82008	2		
6	Bottom cap I	Z-562 000.076.000	1		
7	Special washer	Z-562 000.000.090	1		
8	Bearing, UCFC210	PN ISO 3228:1996	1		
9	Spacing bushing VI	Z-562 000.000.089	1		
10	Bolt, M8x40 8.8 - B	PN/M - 82302	3		
11	Spring washer, Ø8.2	PN/M - 82008	3		
12	Wheel, Z - 22 / Z - 22	Z-562 000.085.000	1		
13	Key, A10x8x50	PN/M - 85005	1		
14	Spring ring, Z - 45	PN/M - 85111	1		
15	Plain washer, Ø46	PN/M - 82005	1		



Rolling shaft, complete V

ROLLING SHAFT, COMPLETE V

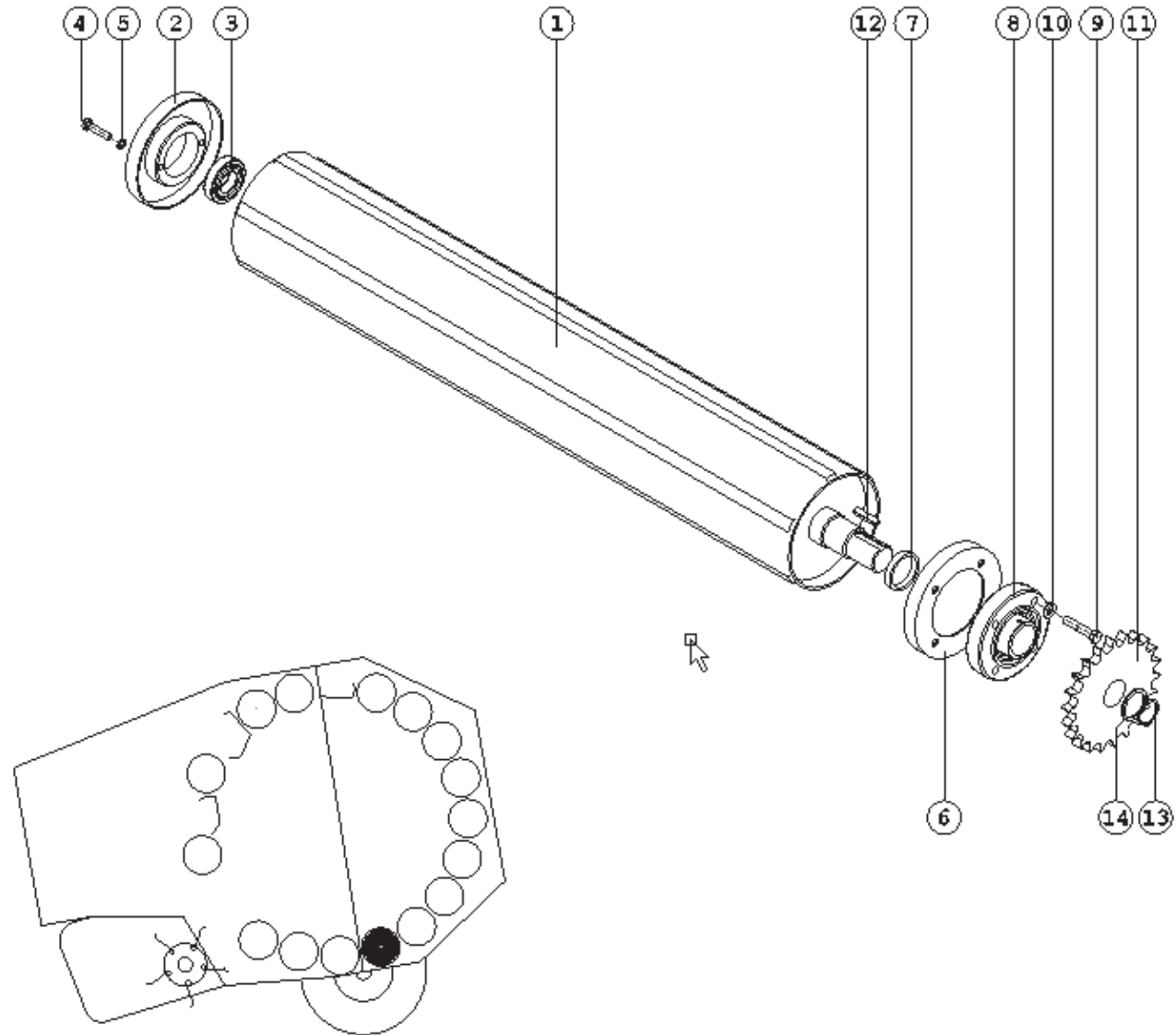
No. in dwg	Part name	Drawing or standard no.	Number of pieces		
			Z562	Z562/1	Z562/2
1	Rolling shaft II	Z-562 000.072.000/I	1		
2	Bottom cap III	Z-562 000.077.000	1		
3	Bearing, K6207 RS	PN/M - 86120	1		
4	Bolt, M10x30 8.8 - B	PN/M - 82105	2		
5	Spring washer, Ø10.2	PN/M - 82008	2		
6	Bottom cap I	Z-562 000.078.000	1		
7	Washer II	Z-562 000.000.090	1		
8	Bearing, UCFC210	PN ISO 3228:1996	1		
9	Spacing bushing VI	Z-562 000.000.089	1		
10	Bolt, M12x60 8.8 - B	PN/M - 82101	4		
11	Spring washer, Ø12.2	PN/M - 82008	4		
12	Wheel, Z - 36 / Z - 22	Z-562 000.083.000	1		
13	Key, A10x8x50	PN/M - 85005	1		
14	Spring ring, Z - 45	PN/M - 85111	1		
15	Plain washer, Ø46	PN/M - 82005	1		



Rolling shaft, complete III

ROLLING SHAFT, COMPLETE, III

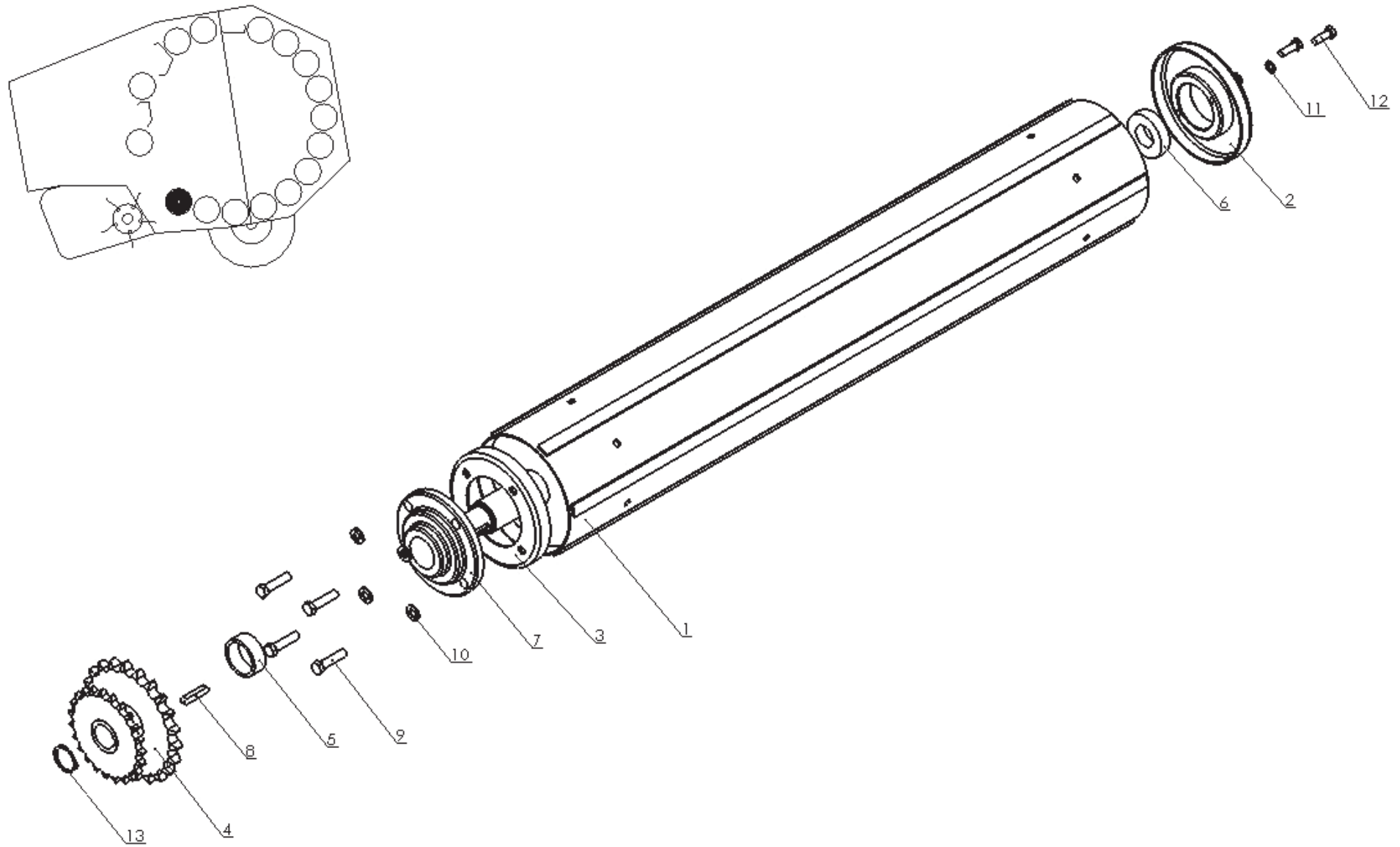
No. in dwg	Part name	Drawing or standard no.	Number of pieces		
			Z562	Z562/1	Z562/2
1	Rolling shaft III	Z-562 000.073.000	10		
2	Bottom cap III	Z-562 000.077.000	10		
3	Bearing, K6207 RS	PN/M - 86120	10		
4	Bolt, M10x30 8.8 - B	PN/M - 82105	20		
5	Spring washer, Ø10.2	PN/M - 82008	20		
6	Bottom cap I	Z-562 000.075.000	10		
7	Washer II	Z-562 000.000.090	10		
8	Bearing, K6208 RS	PN/M - 86120	10		
9	Bearing housing, P208	Z-562 000.000.080	10		
10	Spacing bushing V	Z-562 000.000.088	10		
11	Bolt, M8x30 8.8 - B	PN/M - 82105	30		
12	Spring washer, Ø8.2	PN/M - 82008	30		
13	Wheel, Z - 22	Z-562 000.081.000	10		
14	Key, A10x8x50	PN/M - 85005	10		
15	Spring ring, Z - 38	PN/M - 85111	10		
16	Plain washer, Ø39	PN/M - 82005	10		



Rolling shaft, complete IV

ROLLING SHAFT, COMPLETE IV

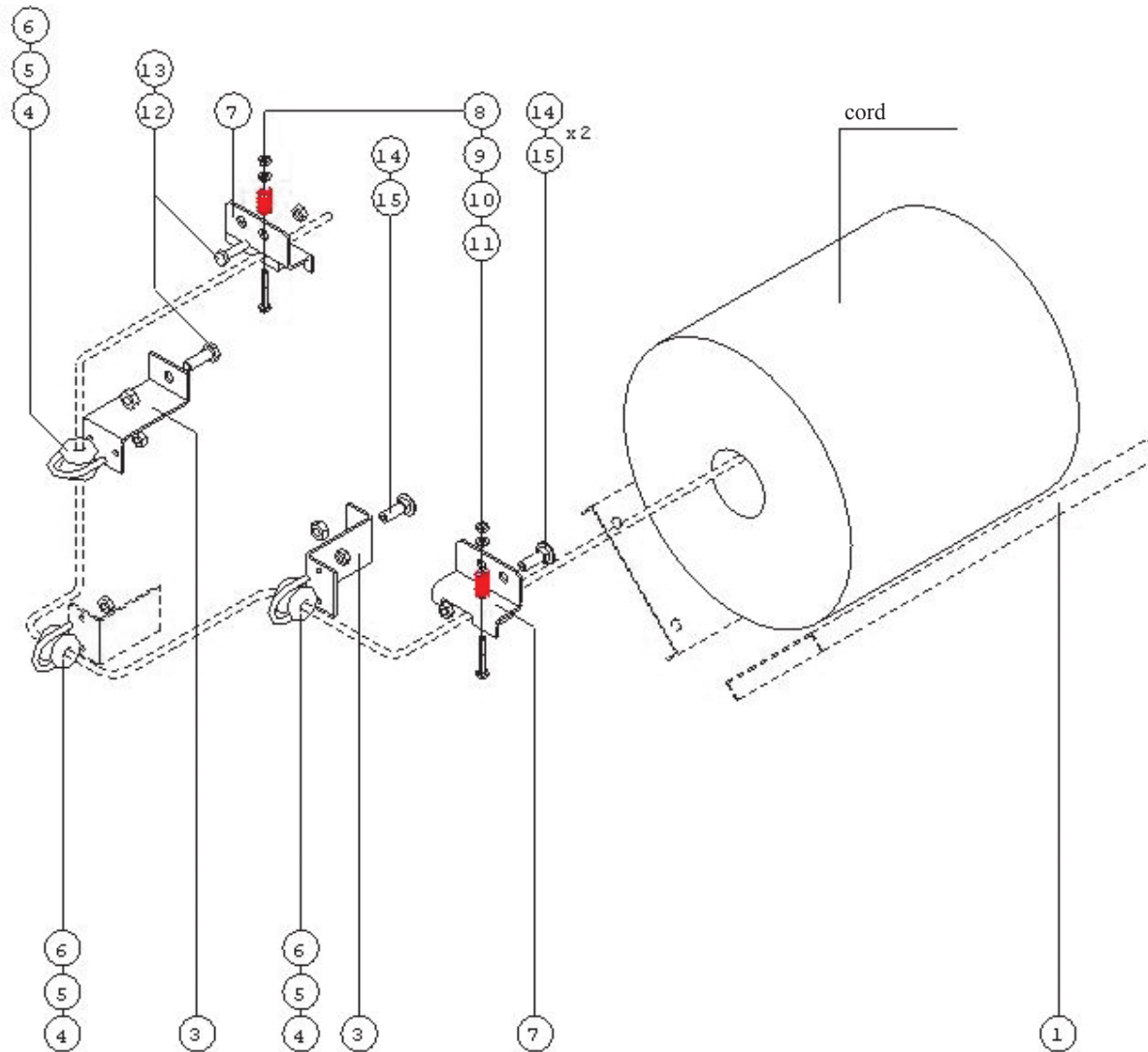
No. in dwg	Part name	Drawing or standard no.	Number of pieces		
			Z562	Z562/1	Z562/2
1	Rolling shaft IV	Z-562 000.199.000	1		
2	Bottom cap III	Z-562 000.077.000	1		
3	Bearing, K6207 RS	PN/M - 86120	1		
4	Bolt, M10x30 8.8 - B	PN/M - 82105	2		
5	Spring washer, Ø10.2	PN/M - 82008	2		
6	Bottom cap IV	Z-562 000.078.000	1		
7	Special washer	Z-562 000.000.090	1		
8	Bearing, UCFC210	PN ISO 3228:1996	1		
9	Bolt, M12x60 8.8 - B	PN/M - 82101	4		
10	Spring washer, Ø12.2	PN/M - 82008	4		
11	Wheel, Z - 22	Z-562 000.201.000	1		
12	Key, A10x8x36	PN/M - 85005	1		
13	Spring ring, Z - 45	PN/M - 85111	1		
14	Plain washer, Ø46	PN/M - 82005	1		



Rolling shaft, complete VI

ROLLING SHAFT, COMPLETE VI

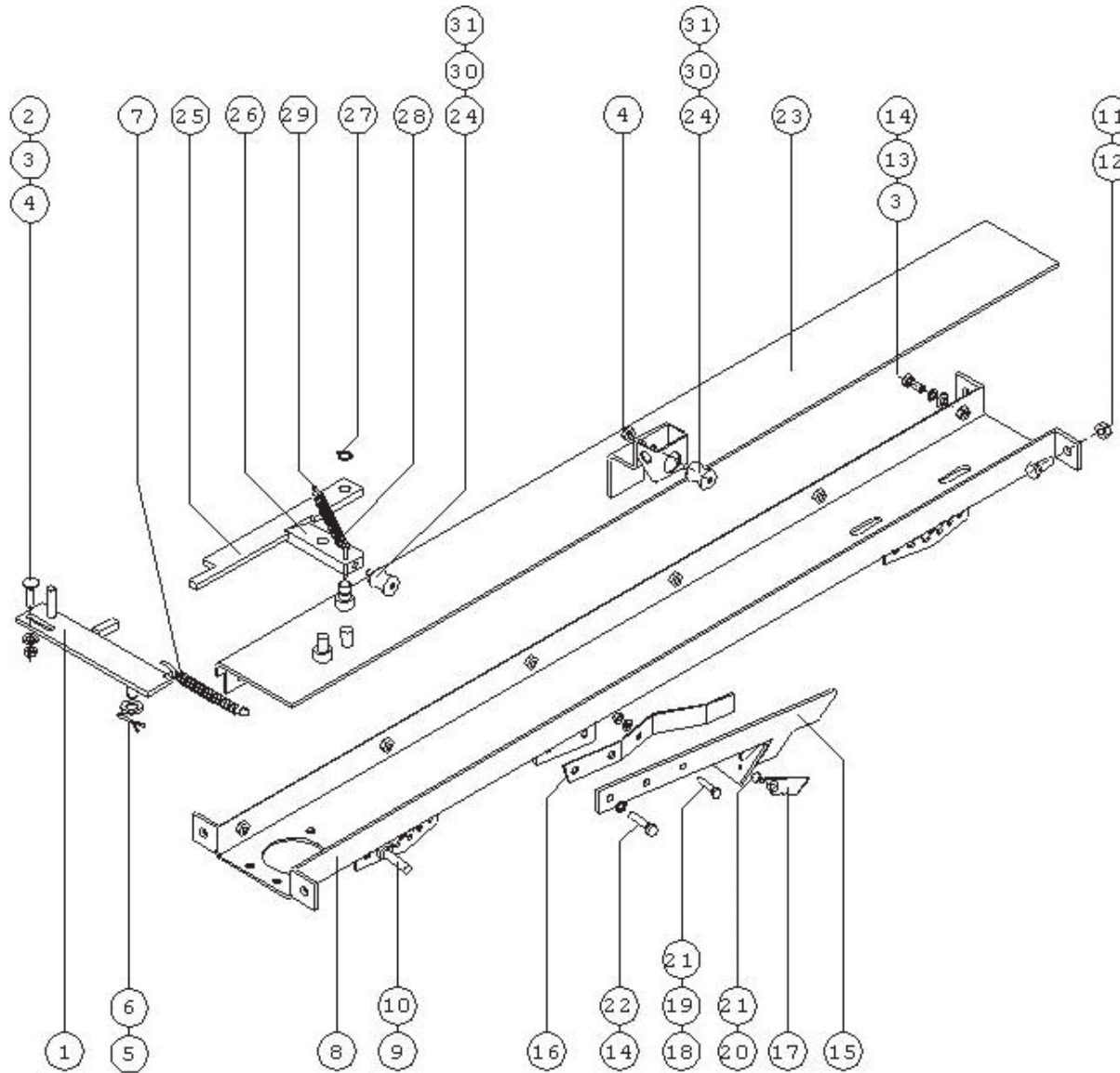
No. in dwg	Part name	Drawing or standard no.	Number of pieces		
			Z562	Z562/1	Z562/2
1	Rolling shaft	Z-562 000.227.000	1		
2	Bottom cap III	Z-562 000.077.000	1		
3	Bottom cap IV	Z-562 000.078.000	1		
4	Wheel, Z - 22 / Z - 23	Z-562 000.082.000	1		
5	Spacing bushing	Z-562 000.000.222	1		
6	Bottom cap I	Z-562 000.075.000	1		
7	Bearing, UCFC210	PN/M - 86120	1		
8	Key, A10x8x50	PN/M - 85005	1		
9	Bolt, M12x50 8.8 - B	PN/M - 82105	4		
10	washer, Ø13	PN/M - 82005	4		
11	Spring washer, Ø10.2	PN/M - 82008	2		
12	Bolt, M10x30 8.8 - B	PN/M - 82105	2		
13	Spring ring, Z - 38	PN/M - 85111	1		



Cord feeder assembly

CORD FEEDER ASSEMBLY

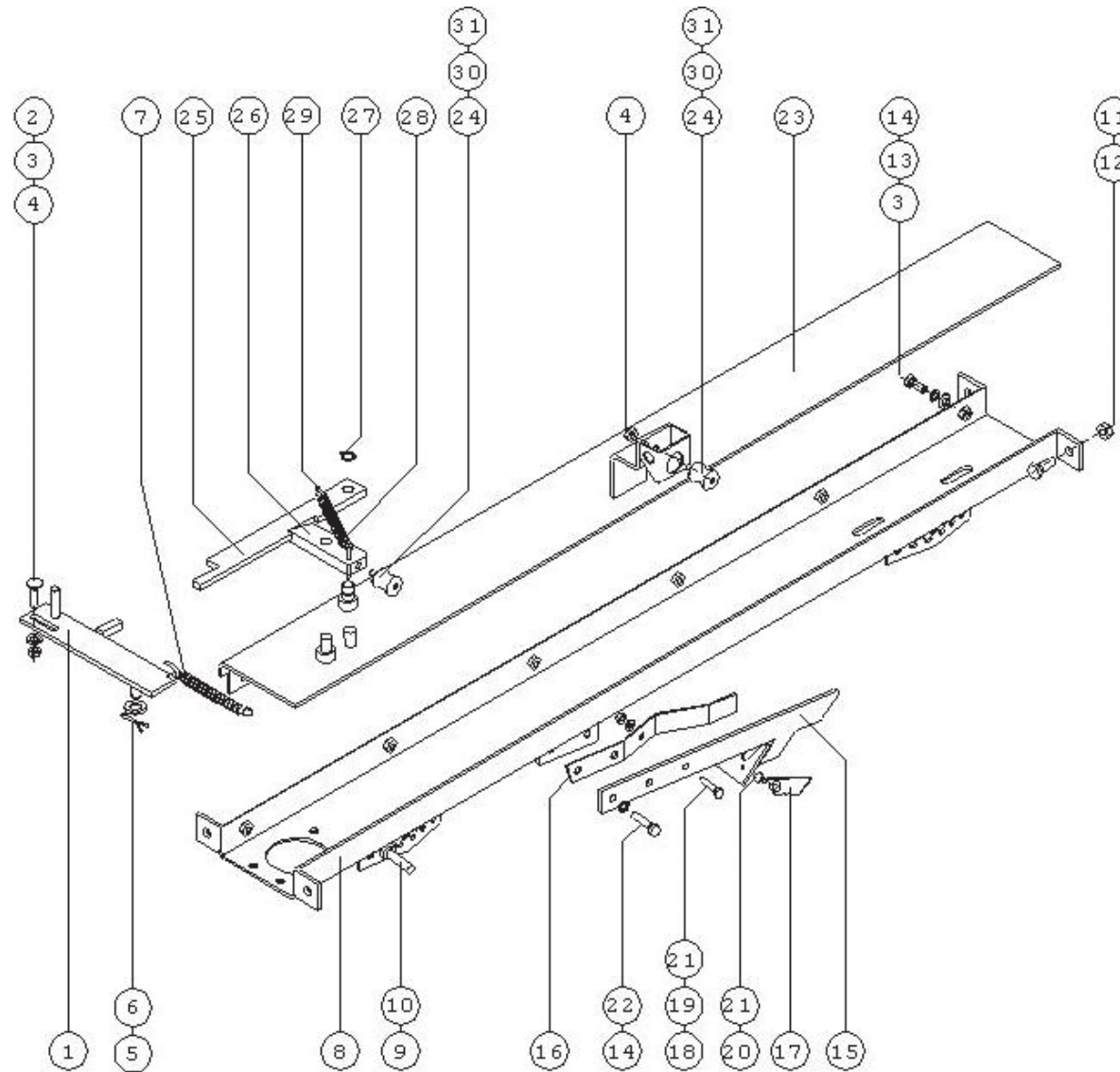
No. in dwg	Part name	Drawing or standard no.	Number of pieces		
			Z562	Z562/1	Z562/2
1	Sheet I (net/cord storage)	Z-562 061.004.001	2		
3	Bush bracket	Z-562 000.000.019	2		
4	Cord guide	POD-OGL-000021	3		
5	Clamping ring, M6	Z-562 000.000.043	3		
6	Nut, M6 5 - B	PN/M - 82175	6		
7	Cord stretcher, left	Z-562 042.000.000L	1		
8	Bolt, M6x50 5.8 - B	PN/M - 82105	2		
9	Plain washer, Ø6.5	PN/M - 82030	4		
10	Nut, M6 5 - B	PN/M - 82175	2		
11	Spring	Z-562 000.042.004	2		
12	Bolt, M10x30 8.8 - B	PN/M - 82105	2		
13	Nut, M10 8 - B	PN/M - 82175	2		
14	Bolt, M10x30 5.8 - B	PN/M - 82406	3		
15	Nut, M10 5 - B	PN/M - 82175	3		
16	Cord stretcher, right	Z-562 042.000.000P	1		



Cord wrapping mechanism body

CORD WRAPPING MECHANISM BODY

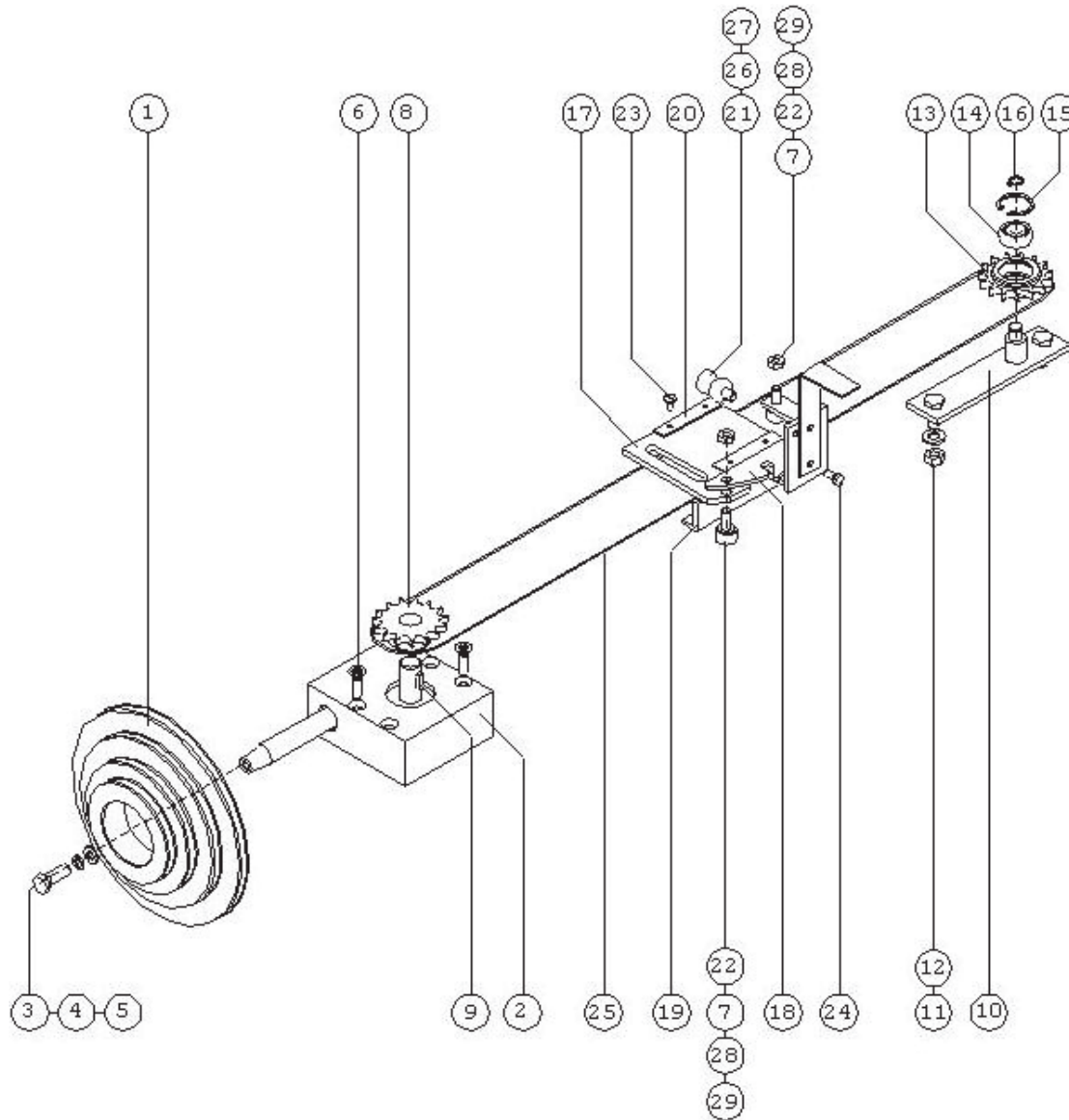
No. in dwg	Part name	Drawing or standard no.	Number of pieces		
			Z562	Z562/1	Z562/2
1	Lock lever V	Z-562 000.016.000	1		
2	Bolt, M8x30 5.8 – B	PN/M – 82406	1		
3	Plain washer, Ø8.4	PN/M – 82005	7		
4	Nut, M8 5 – B	PN/M – 82175	2		
5	Cotter pin, 3x36	PN/M – 82001	1		
6	Plain washer, Ø13	PN/M – 82005	1		
7	Spring II	Z-562 000.000.054	1		
8	Feeder base	Z-562 041.001.000	1		
9	Rod	Z-562 041.001.004	2		
10	Nut, M10 5 – B	PN/M – 82144	4		
11	Bolt, M10x30 5.8 – B	PN/M – 82105	4		
12	Nut, M10 5 – B	PN/M – 82175	4		
13	Bolt, M8x20 5.8 – B	PN/M – 82105	6		
14	Spring washer, Ø8.2	PN/M – 82008	8		
15	Knife bracket	Z-562 041.005.000	1		
16	Clamp	Z-562 041.005.002	1		
17	Cutting blade	Z-562 041.005.402	1		
18	Bolt, M6x70 5.8 – B	PN/M – 82105	1		
19	Nut, M6 5 – B	PN/M – 82144	1		
20	Bolt, M6x16 5.8 – B	PN/M – 82105	2		
21	Plain washer, Ø6.5	PN/M – 82030	3		
22	Bolt, M8x30 5.8 – B	PN/M – 82105	2		
23	Cover	Z-562 041.002.000	1		
24	Roller	Z-562 041.002.401	2		



Cord wrapping mechanism body

CORD WRAPPING MECHANISM BODY

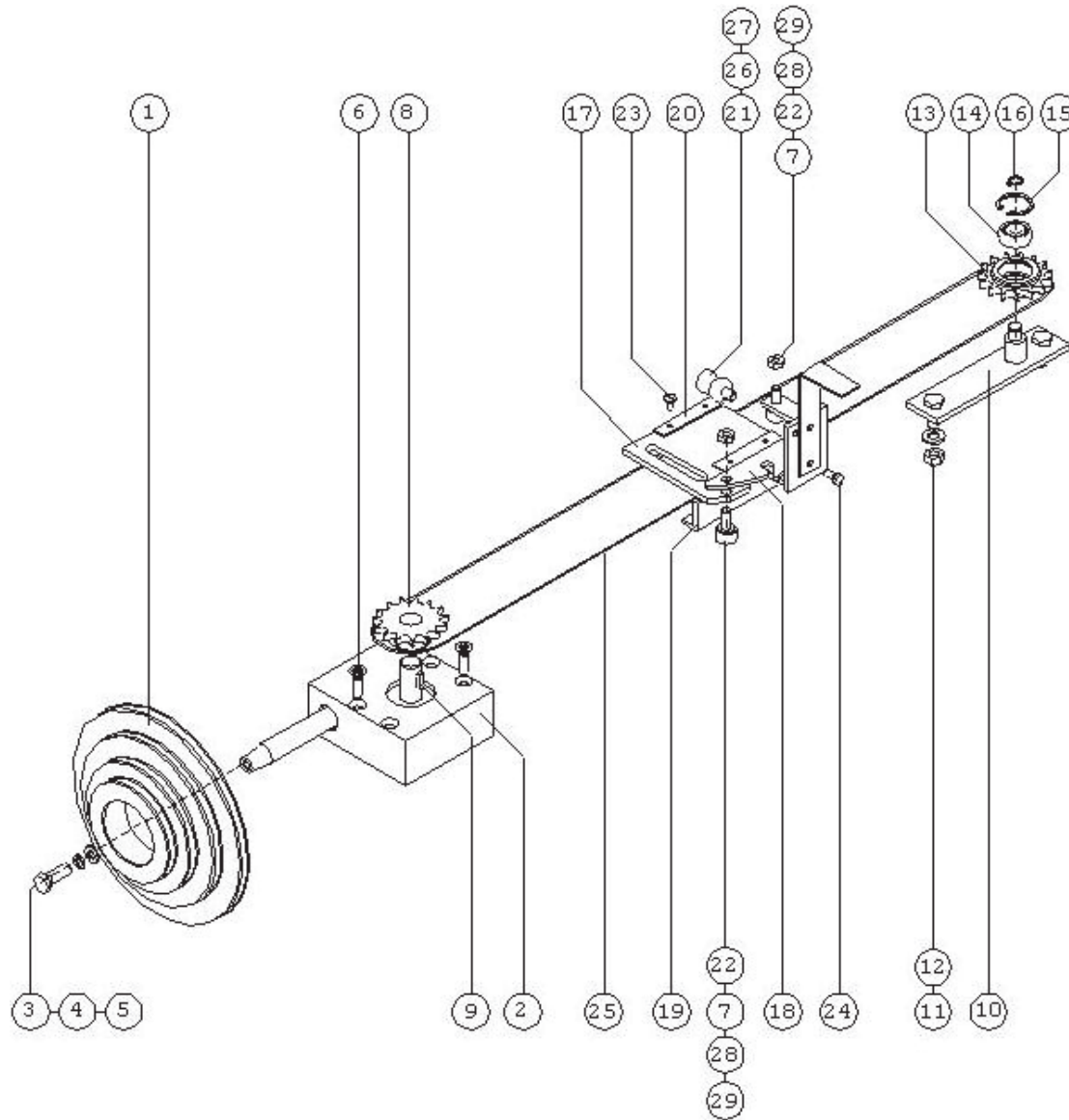
No. in dwg	Part name	Drawing or standard no.	Number of pieces		
			Z562	Z562/1	Z562/2
25	Lever I	Z-562 041.002.600	1		
26	Lever II	Z-562 041.002.007	1		
27	Spring ring, Z - 12	PN/M - 85111	2		
28	Spring	Z-562 041.002.010	1		
29	Cotter pin, 3x28	PN/M - 82001	2		
30	Special bolt, M8	Z-562 041.002.402	2		
31	Needle bearing, HK 1012	PN/M - 86310	4		



Cord wrapping mechanism

CORD WRAPPING MECHANISM

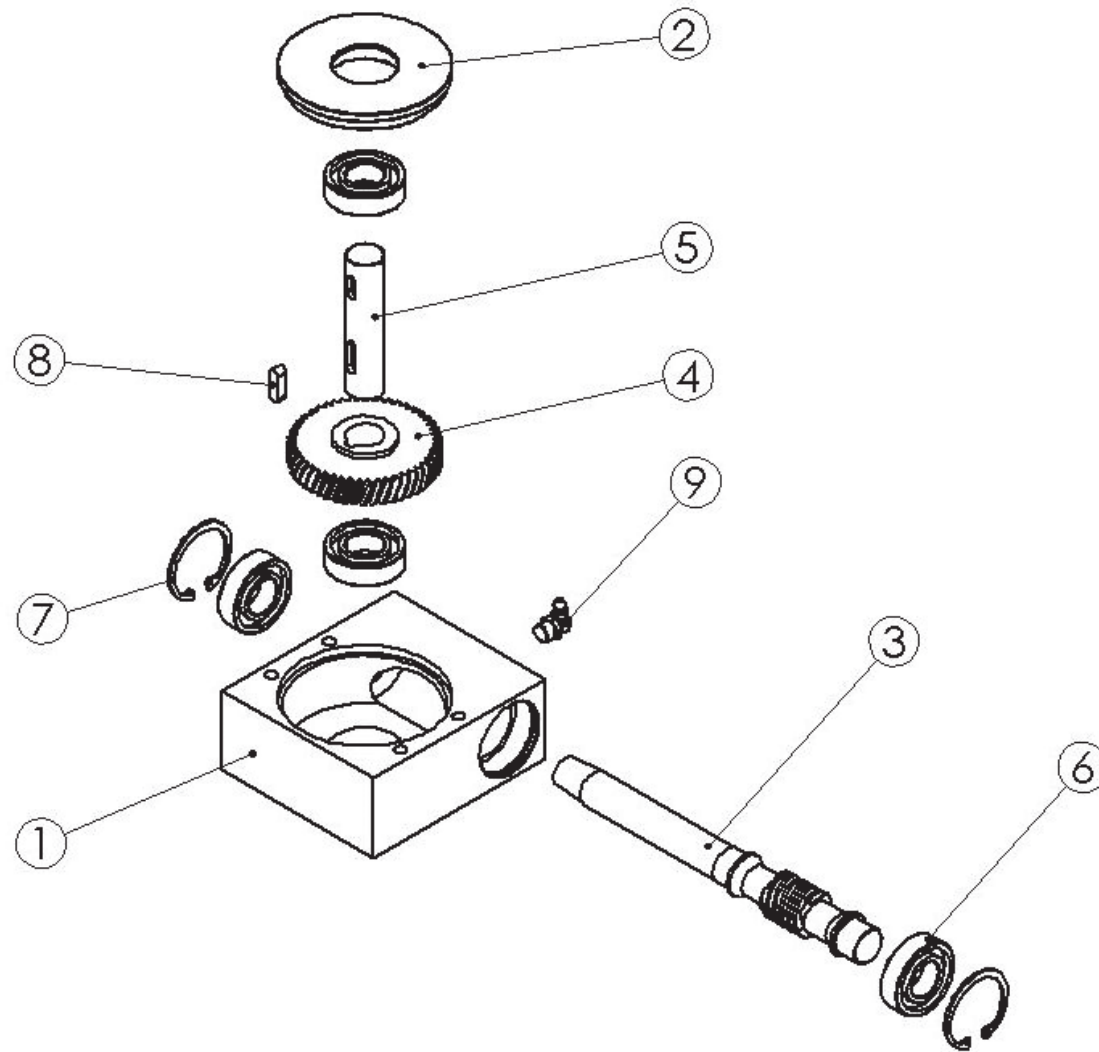
No. in dwg	Part name	Drawing or standard no.	Number of pieces		
			Z562	Z562/1	Z562/2
1	Cord adjustment wheel	Z-562 000.000.023.1	1		
2	Worm gear	Z-562 041.012.000	1		
3	Bolt, M8x30 5.8 – B	PN/M – 82105	1		
4	Plain washer, Ø8.5	PN/M – 82030	1		
5	Spring washer, Ø8.2	PN/M – 82008	1		
6	Screw, M8x25 5.8 – B	PN/M – 82208	4		
7	Nut, M8 5 – B	PN/M – 82175	3		
8	Wheel, Z – 15 ½"	Z-562 041.012.006	1		
9	Key, A6x6x14	PN/M – 85005	1		
10	Chain stretcher	Z-562 041.003.000	1		
11	Plain washer, Ø10.5	PN/M – 82005	2		
12	Nut, M10 5 – B	PN/M – 82144	2		
13	Wheel, Z – 15 ½"	Z-562 041.003.003	1		
14	Bearing, 6201 RS	PN/M – 86100	1		
15	Spring ring, W – 32	PN/M – 85111	1		
16	Spring ring, Z – 12	PN/M – 85111	1		
17	Welded carriage	Z-562 041.004.000	1		
18	Guide	Z-562 041.004.500	1		
19	Slide I	Z-562 041.004.007	1		
20	Slide II	Z-562 041.004.008	2		
21	Roller	Z-562 041.002.401	1		
22	Bearing, Z – 608	PN/M – 86100	6		



Cord wrapping mechanism

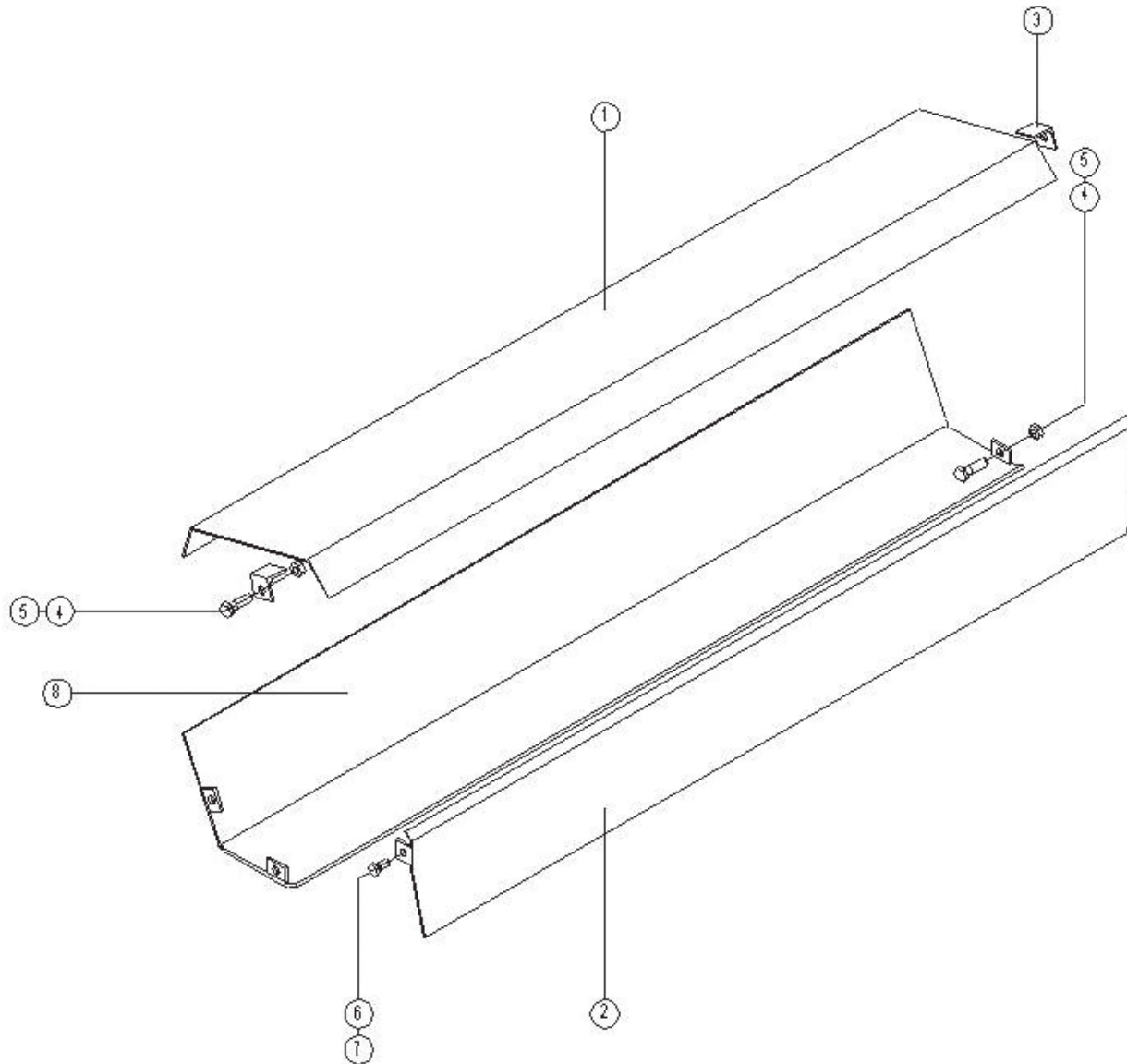
CORD WRAPPING MECHANISM

No. in dwg	Part name	Drawing or standard no.	Number of pieces		
			Z562	Z562/1	Z562/2
23	Screw, M6x10 5.8 – B	PN/M – 82208	4		
24	Bolt, M6x16 5.8 – B	PN/M – 82105	2		
25	Chain, ½", 173 links	PN/M – 84168	1		
26	Special bolt, M8	Z-562 041.002.402	1		
27	Needle bearing, HK 1012	PN/M – 86310	2		
28	Bearing, Z – 608	PN/M – 86100	6		
29	Special bolt, M8	Z-562 041.004.013	3		



Worm gear

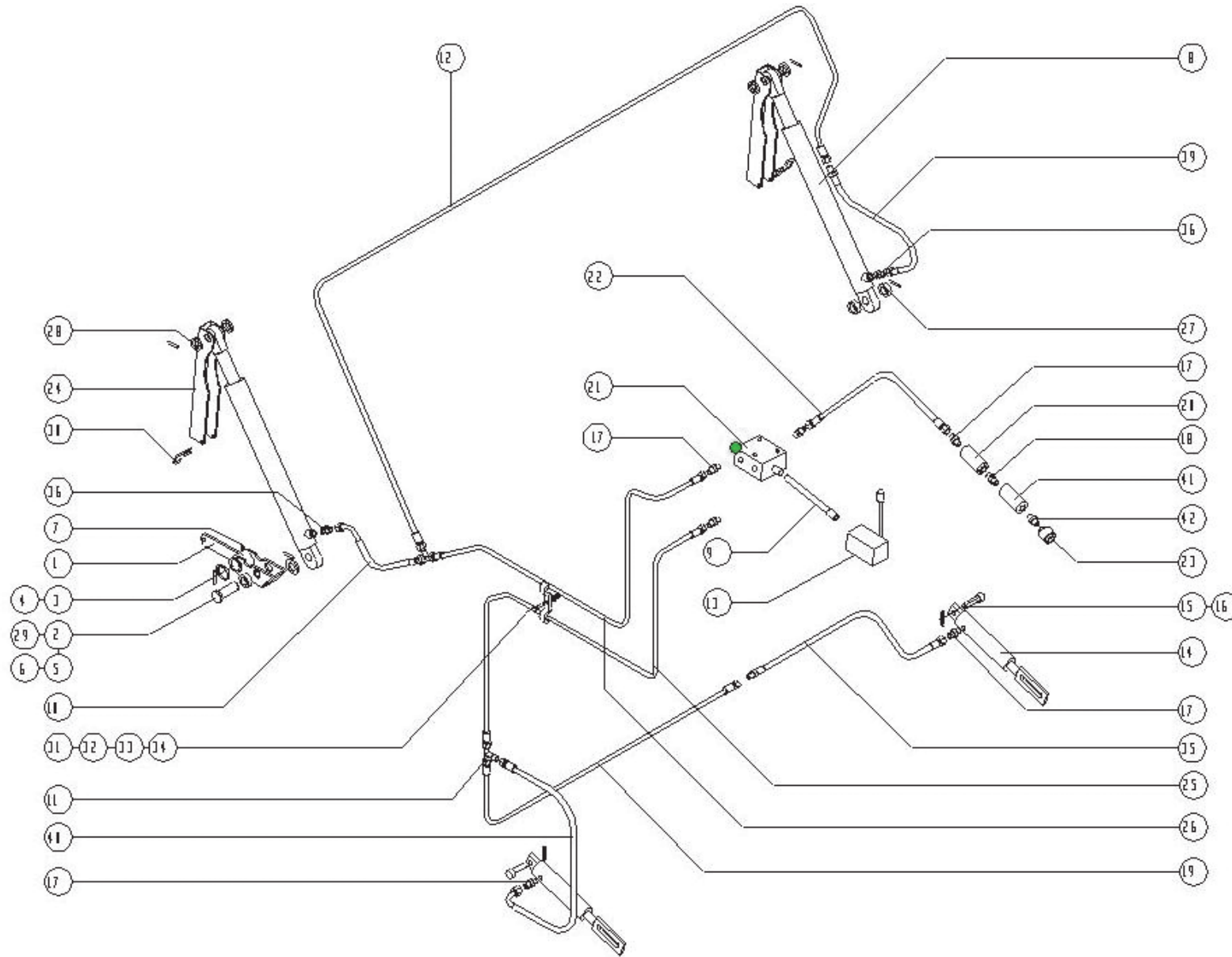
<i>WORM GEAR</i>					
No. in dwg	Part name	Drawing or standard no.	Number of pieces		
			Z562	Z562/1	Z562/2
1	Gear body	Z-562 041.012.001	1		
2	Cover	Z-562 041.012.002	1		
3	Worm	Z-562 041.012.003	1		
4	Worm wheel	Z-562 041.012.004	1		
5	Axle	Z-562 041.012.005	1		
6	Bearing, 6004 RS	DIN 625	4		
7	Spring ring, W42	DIN 472	2		
8	Parallel key, A6x6x20	DIN 6885A	1		
9	Grease nipple, M10x1, 90 deg. angle	DIN 71412C	1		



Cord wrapping mechanism guards

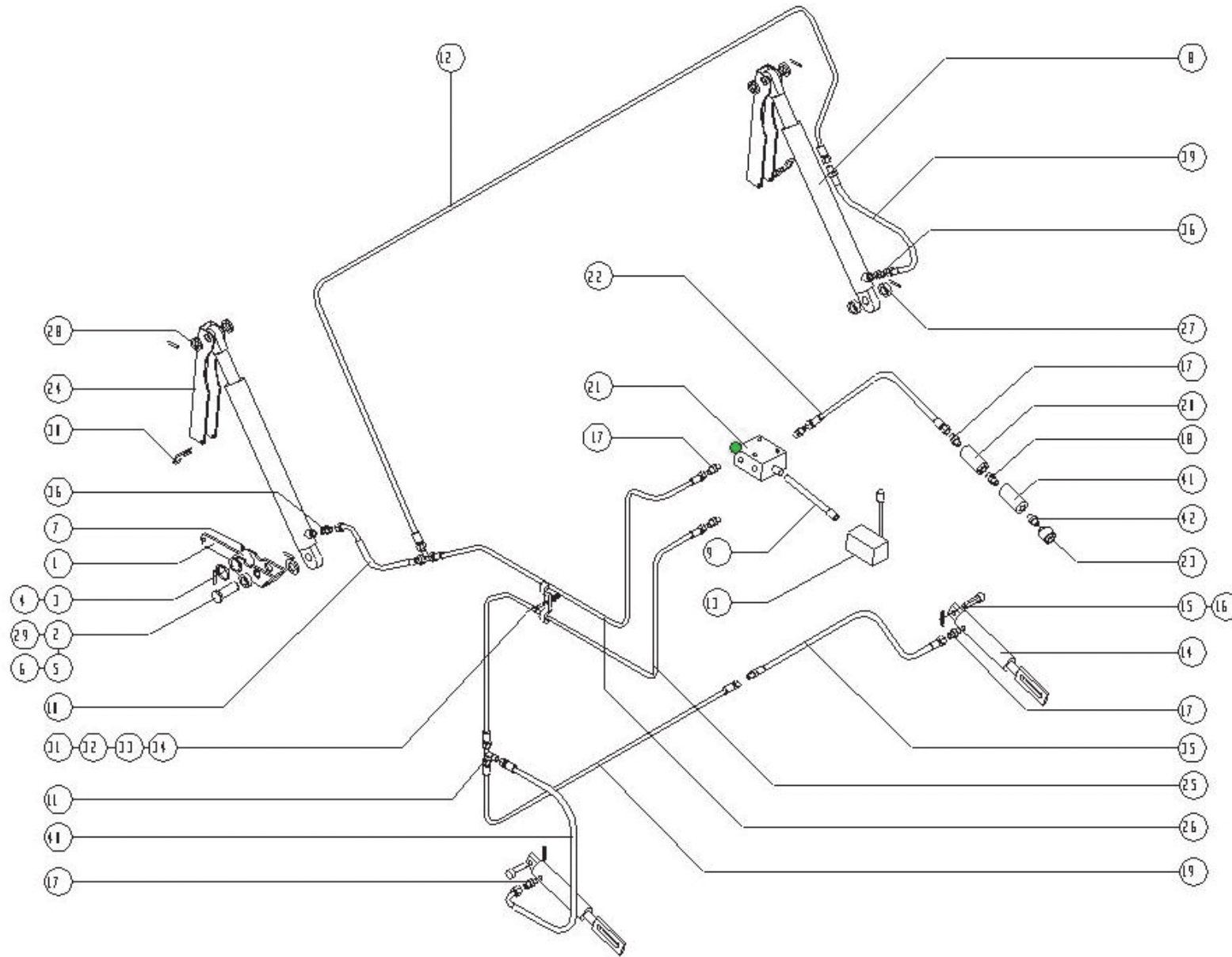
CORD WRAPPING MECHANISM GUARDS

No. in dwg	Part name	Drawing or standard no.	Number of pieces		
			Z562	Z562/1	Z562/2
1	Guard flap	Z-562 031.002.000	1		
2	Inner guard III	Z-562 000.030.000	1		
3	Angle bar	Z-562 000.000.021	2		
4	Bolt, M10x30 5.8 - B	PN/M - 82105	6		
5	Nut, M10 5 - B	PN/M - 82175	6		
6	Bolt, M10x30 5.8 - B	PN/M - 82105	2		
7	Nut, M10 5 - B	PN/M - 82175	2		
8	Guard base	Z-562 031.001.000	1		



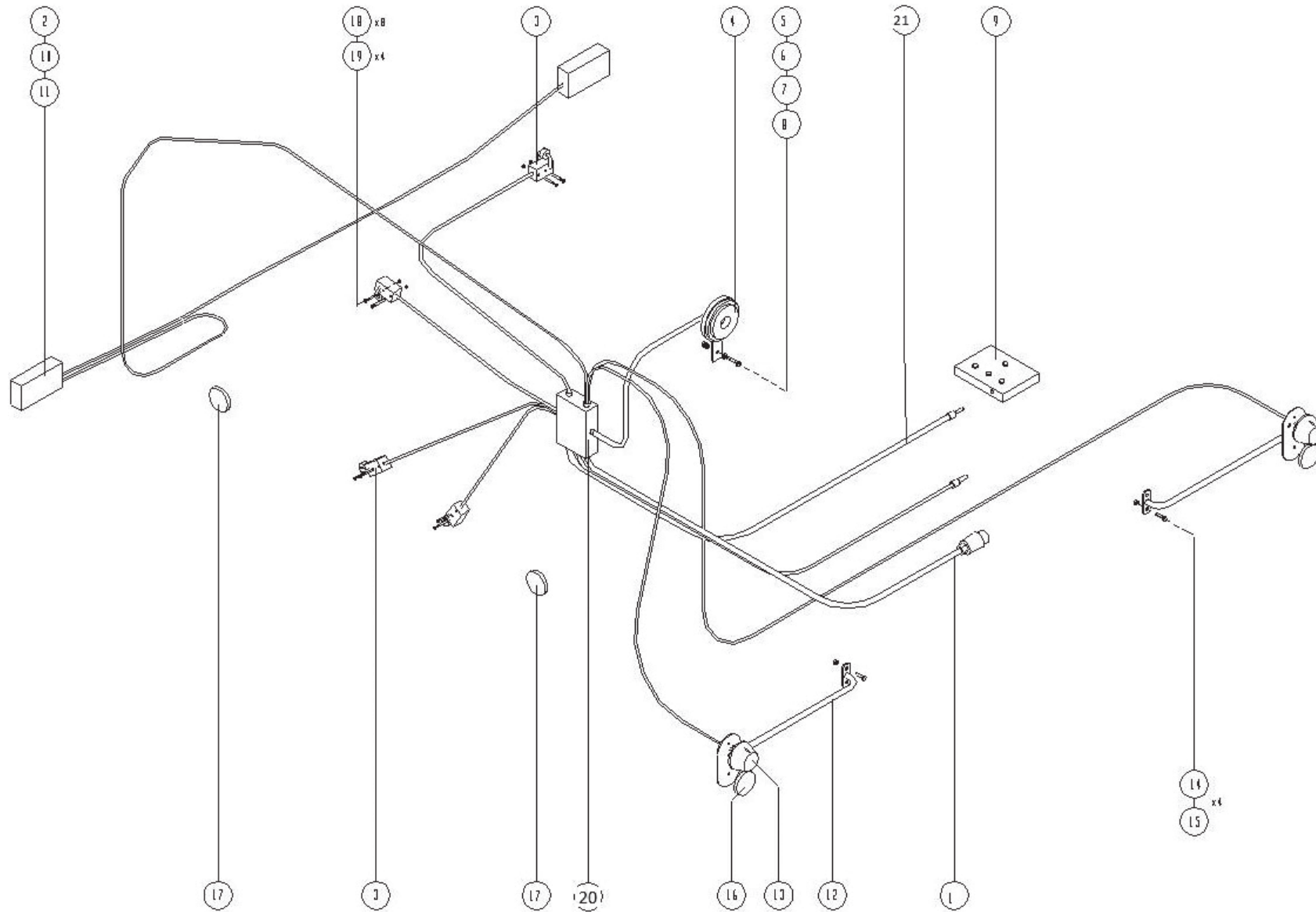
Hydraulic system

<i>HYDRAULIC SYSTEM</i>					
No. in dwg	Part name	Drawing or standard no.	Number of pieces		
			Z562	Z562/1	Z562/2
1	Lock lever III	Z-562 000.012.000	1		
2	Pin I	Z-562 000.000.013	1		
3	Special plain washer	4/41/50	1		
4	Spring pin, 6x45	PN/M – 85023	1		
5	Special plain washer	4/ϕ26/ϕ50	4		
6	Spring pin, 6x45	PN/M – 85023	4		
7	Grease nipple, M6x1	PN/M – 86003	1		
8	Hydraulic cylinder	CN2F-16-40/400z	2		
9	DCV control cable		1		
10	Hydraulic line	AA/111/10 L-280	1		
11	Stud body, T-connection, M18x1.5	PN/M – 73145	2		
12	Hydraulic line, steel	Z-562 092.000.011	1		
13	DCV control lever		1		
14	Hydraulic cylinder	CNS08-16-25/130	2		
15	Pin II	Z-562 000.000.197	2		
16	Spring pin, 6x45	PN/M – 85023	2		
17	Stud body, straight, 3/8"xM18x1.5	ZN/140	6		
18	Connector, 3/8" – 1/2"	24ZP3/8-1/2	1		
19	Hydraulic line, steel	Z-562 092.000.012	1		
20	Pressure reducing valve 3/8"	VERFU 380SP1 – 4N	1		
21	Hydraulic directional control valve	24ZTS	1		
	Electric distributor	POD-HZW-000007-1	1		
22	Hydraulic line	A90A/111/10 L-2500	1		



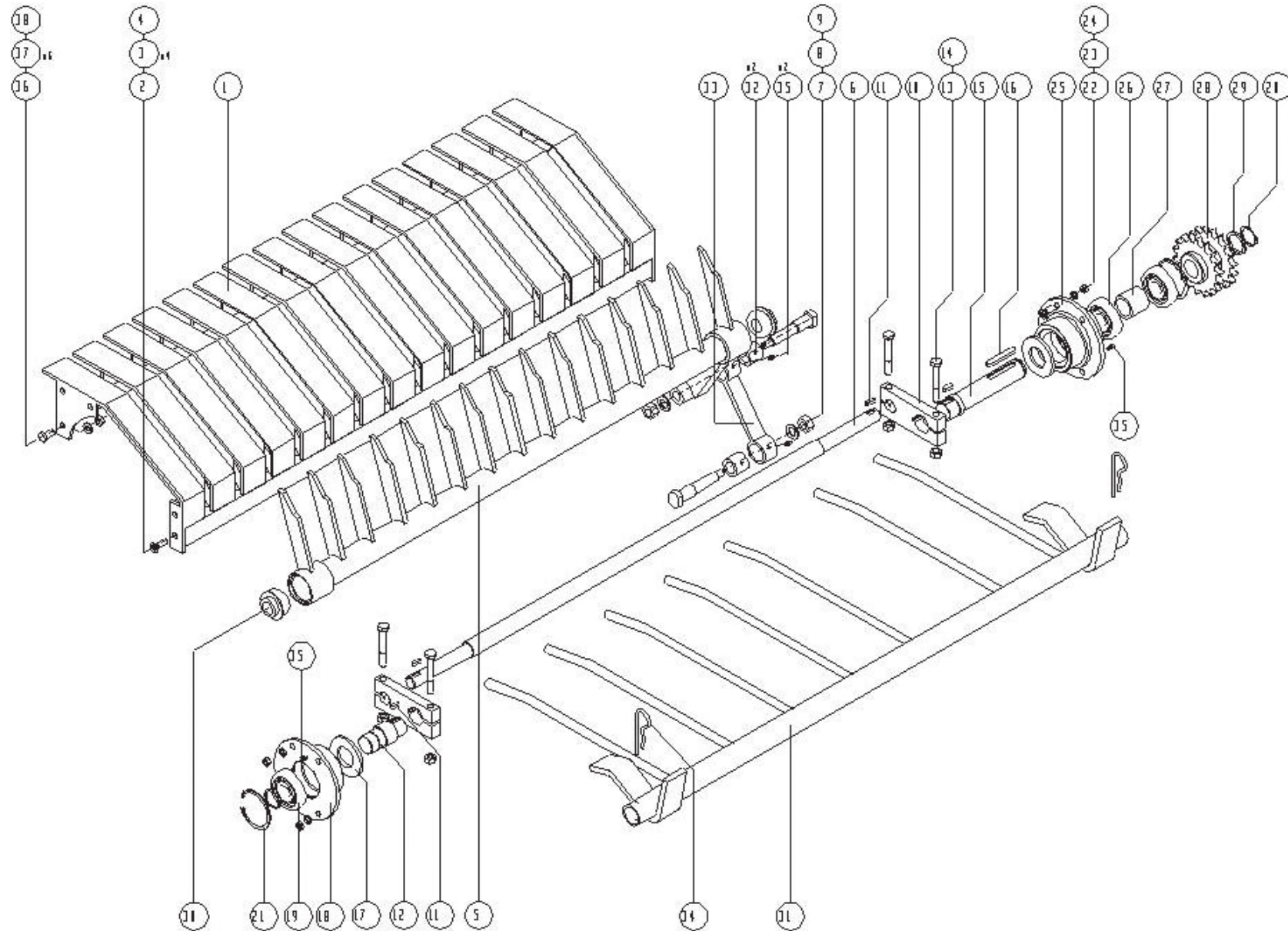
Hydraulic system

<i>HYDRAULIC SYSTEM</i>					
No. in dwg	Part name	Drawing or standard no.	Number of pieces		
			Z562	Z562/1	Z562/2
23	Valve – plug, quick-release coupling M22x1.5	24ZWE13	1		
24	Actuator lock	Z-562 000.000.004	2		
25	Hydraulic line, steel	Z-562 092.000.013	1		
26	Hydraulic line, steel	Z-562 092.000.014	1		
27	Spacing bushing II	Z-562 000.000.022	2		
28	Spacing bushing I	Z-562 000.000.020	4		
29	Spacing bushing III	Z-562 000.000.032	1		
30	Farming-type pin, $\varnothing 5$	DIN 11024	2		
31	Cable clamp	Z-562 000.000.210	1		
32	Bolt, M8x30 5.8 – B	PN/M – 82105	1		
33	Plain washer, $\varnothing 8.4$	PN/M – 82005	1		
34	Nut, M8 5 – B	PN/M – 82175	1		
35	Hydraulic line	AB/111/10 L-400	1		
36	Stud body, straight, M16x1.5/M18x1.5	PN/M – 73140	2		
37	DCV grip	Z-562 215.000.000	1		
38	Nut, M6 5 – B	PN/M – 82144	2		
39	Hydraulic line	A45B/111/10/ L-350	1		
40	Hydraulic line	A90A/111/10/ L-350	1		
41	Oil filter	FLA 11 BO4	1		
42	Connector, 1/2" – M22x1.5	24PP1/2 M22/1.5 FI15	1		



Electrical system

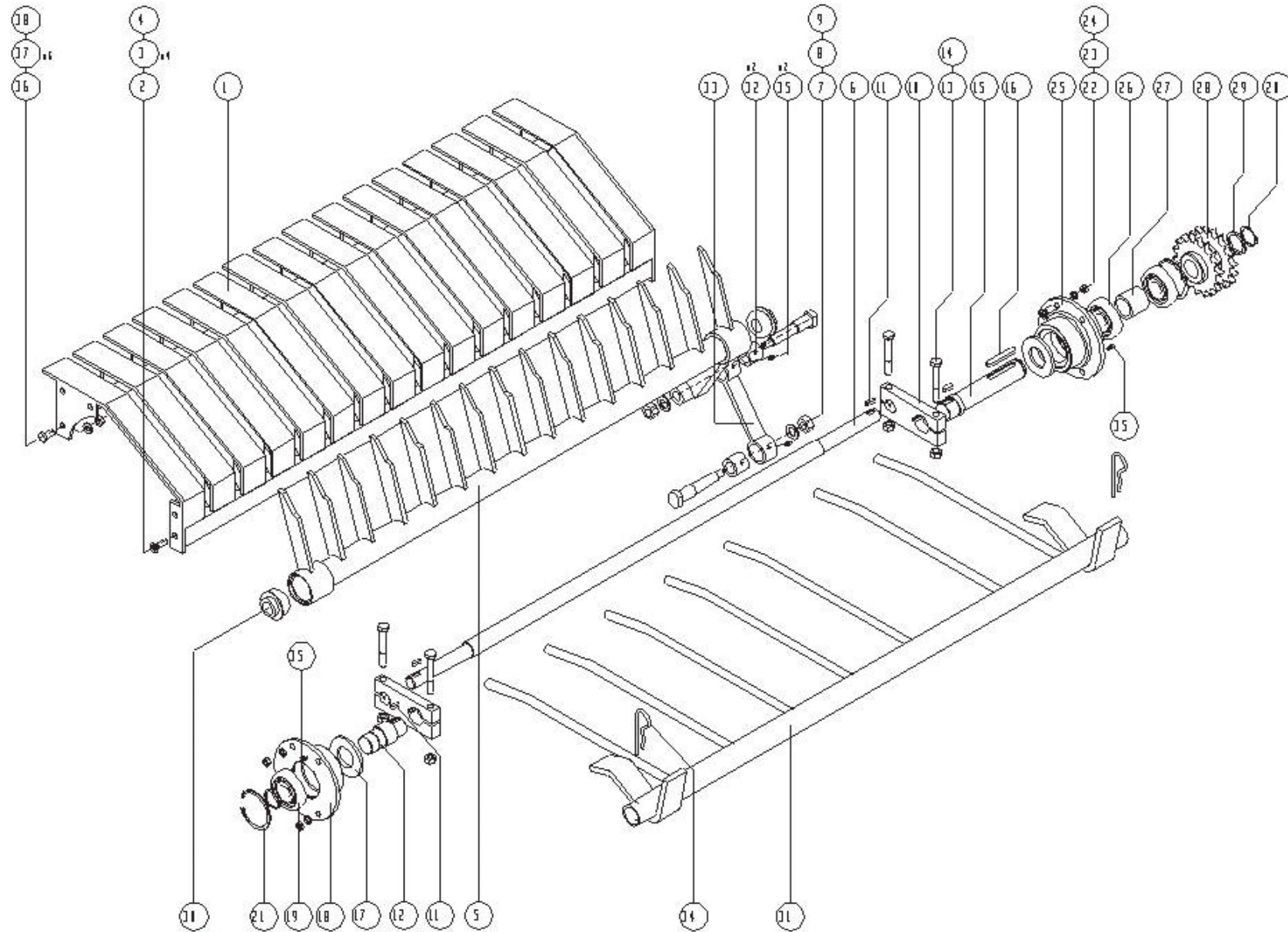
<i>ELECTRICAL SYSTEM</i>					
No. in dwg	Part name	Drawing or standard no.	Number of pieces		
			Z562	Z562/1	Z562/2
1	Electrical system wiring harness for LP01 meter, complete	26WPE	1		
	Electrical system wiring harness for LP02 meter, complete	POD-ELK-000154	1		
2	Tail cluster lamp	0720012200	2		
3	End switch		4		
4	Sound signal – horn		1		
5	Bolt, M8x25 5.8 – B	PN/M – 82105	1		
6	Spring washer, Ø8.2	PN/M – 82008	1		
7	Nut, M8 5 – B	PN/M – 82144	1		
8	Plain washer, Ø8.5	PN/M – 82030	1		
9	LP01 press meter	25LP	1		
9	LP02 press meter	POD-ELK-000151			
10	Light bulb, 12V/21W		4		
11	Light bulb, 12V/5W		2		
12	Front right lamp console	Z-562 000.220.000L	1		
	Front left lamp console	Z-562 000.220.000P	1		
13	Front lamp, white		2		
14	Bolt, M8x20 5.8 – B	PN/M – 82105	4		
15	Nut, M8 5 – B	PN/M – 82175	4		
16	White reflective light		2		
17	Orange reflective light		4		
18	Screw, M4x50 5.8 – B	PN/M – 82008	8		
19	Nut, M4 5 – B	PN/M – 82144	4		
20	LP02 controller module	POD-ELK-000152			
21	LP02 meter cable	POD-ELK-000153			



Collector, complete

COLLECTOR, COMPLETE

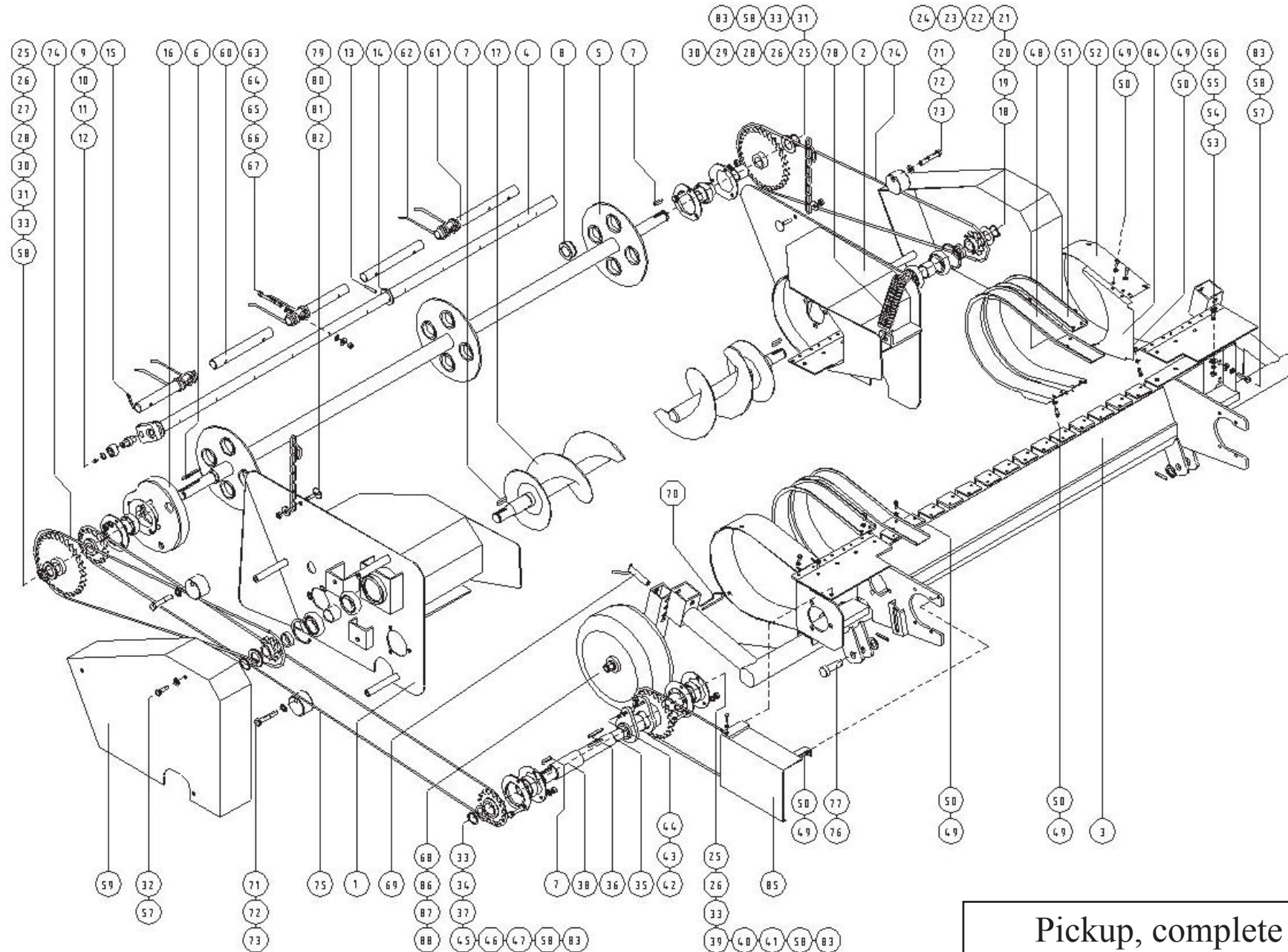
No. in dwg	Part name	Drawing or standard no.	Number of pieces		
			Z562	Z562/1	Z562/2
1	Collector guard	Z-562 000.035.000	1		
2	Screw M10x30 5.8 - B	PN/M - 82208	4		
3	Nut, M10 5 - B	PN/M - 82175	4		
4	Spring washer, Ø10.2	PN/M - 82008	4		
5	Welded rake	Z-562 095.001.000	1		
6	Collector axis	Z-562 095.000.002	1		
7	Special bolt, M16	Z-562 095.000.005	2		
8	Nut, M16 5 - B	PN/M - 82175	2		
9	Spring washer, Ø16.3	PN/M - 82008	2		
10	Collector block	Z-562 095.000.004	2		
11	Key, A8x7x20	PN/M - 85005	4		
12	Axle shaft, right	Z-562 095.000.011	1		
13	Bolt, M12x80 8.8 - B	PN/M - 82101	4		
14	Nut, M12 5 - B	PN/M - 82175	4		
15	Left axle shaft	Z-562 095.000.012	1		
16	Key, A8x7x70	PN/M - 85005	1		
17	Thrust washer	Z-562 095.000.006	2		
18	Holder II	Z-562 095.000.010	1		
19	Bearing, K6207 or 2207E	PN/M - 86120	1		
20	Spring ring, Z - 35	PN/M - 85111	2		
21	Spring ring, W - 72	PN/M - 85111	2		
22	Spring washer, Ø10.2	PN/M - 82008	8		



Collector, complete

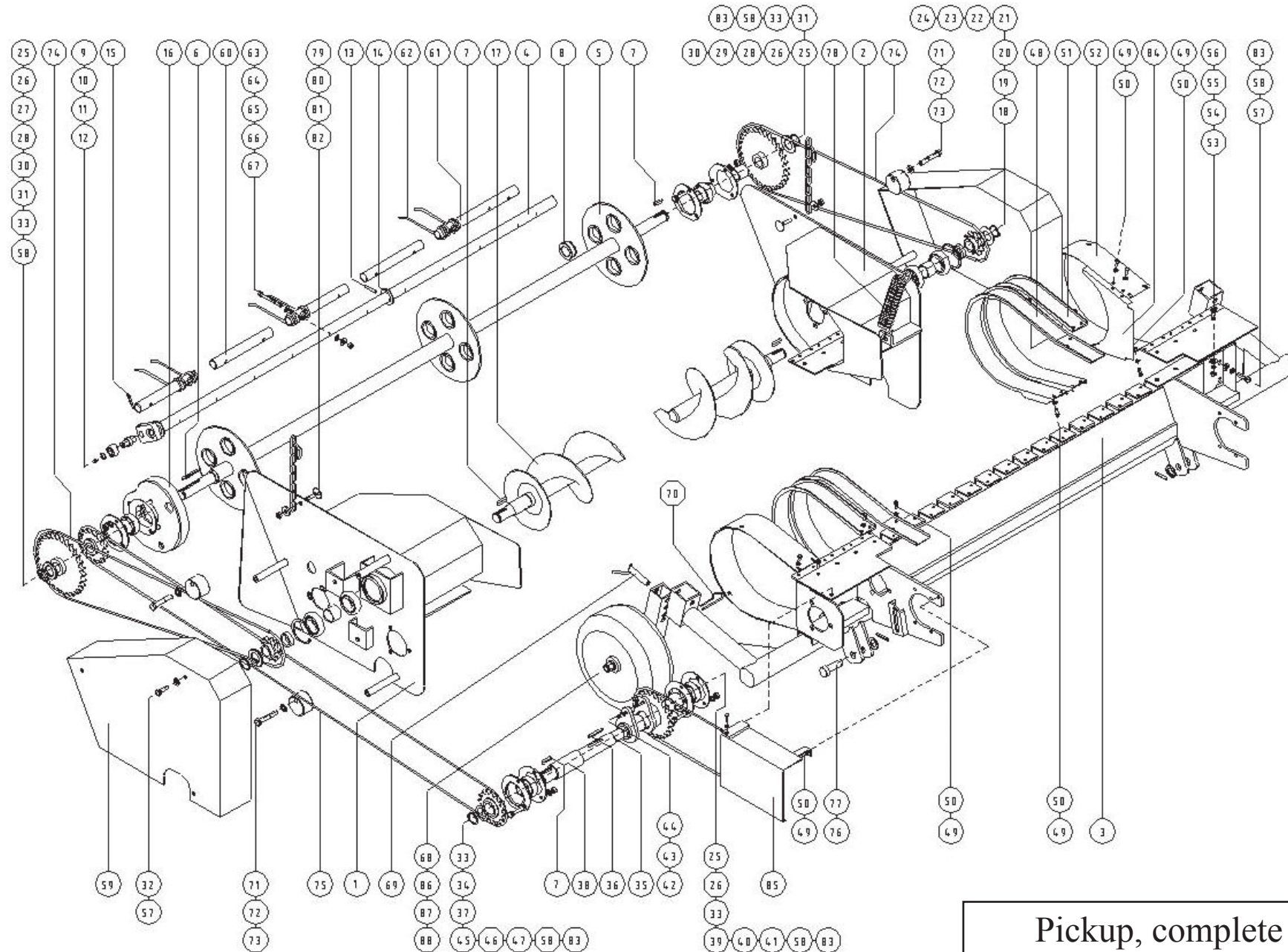
COLLECTOR, COMPLETE

No. in dwg	Part name	Drawing or standard no.	Number of pieces		
			Z562	Z562/1	Z562/2
24	Nut, M10 5 - B	PN/M - 82175	8		
25	Holder I	Z-562 095.000.009	1		
26	Bearing, 6207 RS	PN/M - 86100	2		
27	Spacing bushing	Z-562 095.000.014	1		
28	Wheel, Z - 18	Z-562 095.000.015	1		
29	Special plain washer, Ø36	Z-562 095.000.023	2		
30	Bearing, FD205	PN/M - 86120	2		
31	Welded pressure element	Z-562 118.000.000	1		
23	Slide bushing	Z-562 095.003.003	2		
33	Fastener I	Z-562 095.003.000	1		
34	Farming-type pin, Ø5	DIN 11024	2		
35	Grease nipple, M6x1	PN/M - 86003	4		
36	Bolt, M10x25 8.8 - B	PN/M - 82105	6		
37	Nut, M10 5 - B	PN/M - 82175	6		
38	Spring washer, Ø10.2	PN/M - 82008	6		



Pickup, complete

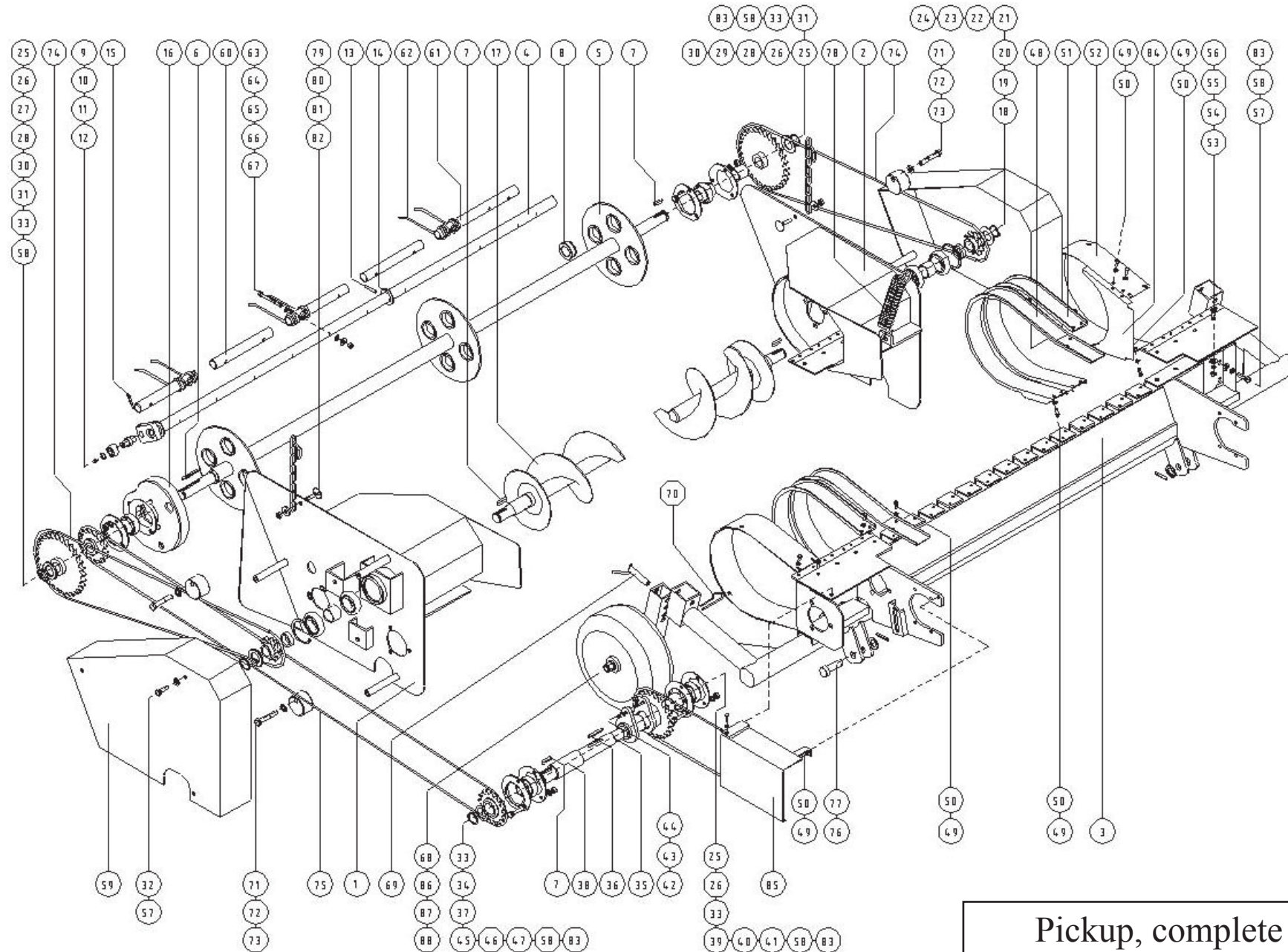
<i>PICKUP, COMPLETE</i>					
No. in dwg	Part name	Drawing or standard no.	Number of pieces		
			Z562	Z562/1	Z562/2
1	Left wall	Z-562 096.001.000	1		
2	Right wall	Z-562 096.002.000	1		
3	Pickup frame	Z-562 096.003.000	1		
4	Spring axis	Z-562 096.004.000	4		
5	Primary axle	Z-562 096.005.000	1		
6	Key, A8x7x70	PN/M - 85005	1		
7	Key, A8x7x36	PN/M - 85005	4		
8	Slide bushing	Z-562 096.000.009	12		
9	Roller pivot	Z-562 096.004.003.1	4		
10	Bearing, RT - 15	PN/M - 86100	4		
11	Spring ring, Z - 15	PN/M - 85111	4		
12	Grease nipple, M6x1	DIN 3405A	4		
13	Spring pin, 6x45	PN/M - 85023	4		
14	Plain washer, Ø31	Z-562 096.004.006	4		
15	Spring pin, 8x50	PN/M - 85023	4		
16	Roller raceway	Z-562 096.006.000	1		
17	Worm conveyor, L+R	Z-562 096.007.100	1+1		
18	Wheel, Z - 10 ¾"	Z-562 096.007.002	2		
19	Bushing I	Z-562 096.007.003	2		
20	Bushing II	Z-562 096.007.004	2		
21	Bearing, 6207 RS	PN/M - 86100	4		
22	Spring ring, Z - 30	PN/M - 85111	2		
23	Spring ring, W - 72	PN/M - 85111	2		
24	Plain washer, Ø31	PN/M - 82005	2		



Pickup, complete

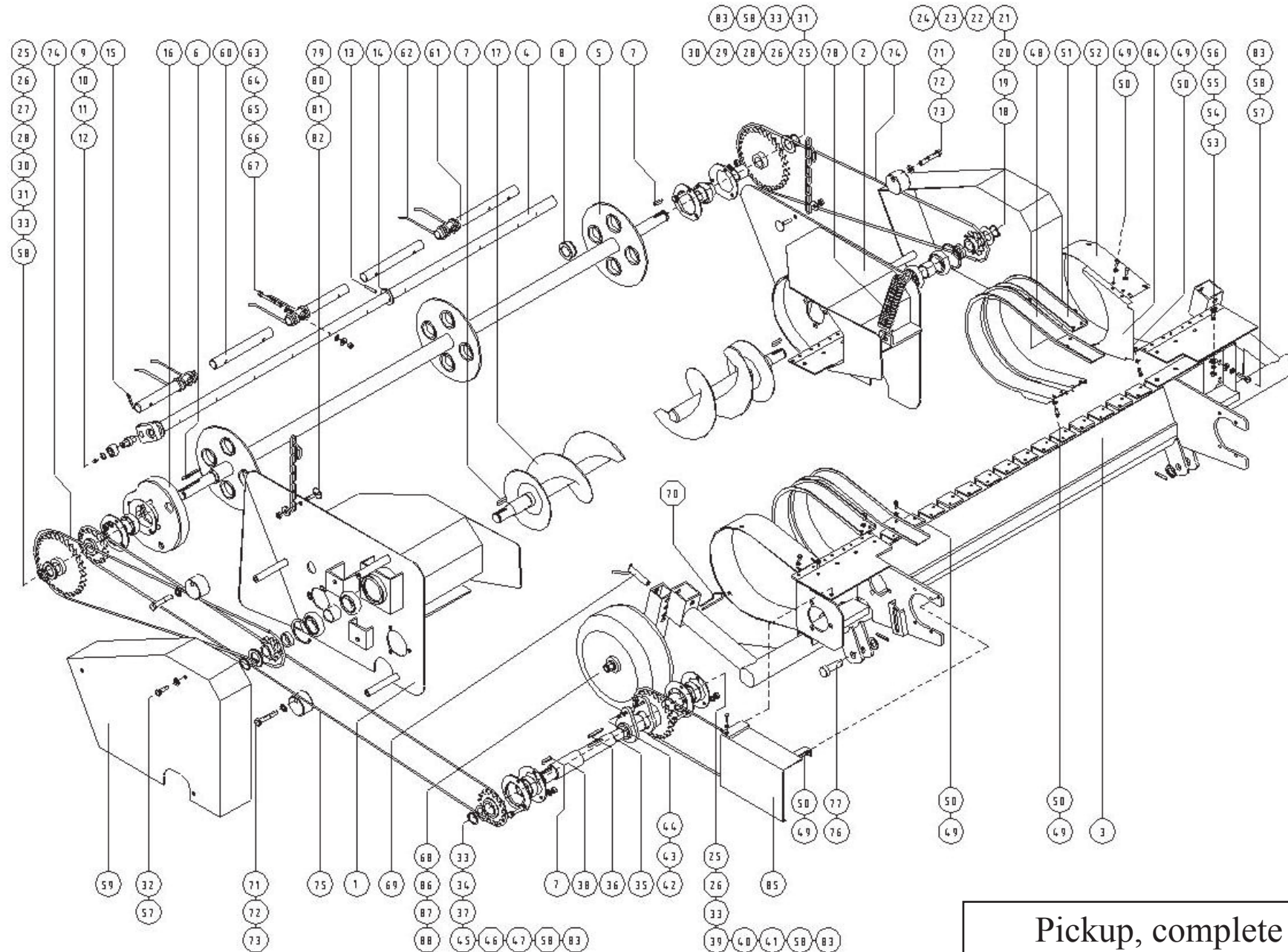
PICKUP, COMPLETE

No. in dwg	Part name	Drawing or standard no.	Number of pieces		
			Z562	Z562/1	Z562/2
25	Sheet metal mount, P - 206	PN ISO 3228:1996	6		
26	Bearing, S A 206	PN/M - 86120	3		
27	Wheel, Z - 16 ¾"	Z-562 096.000.011	1		
28	Wheel, Z - 32 ¾"	Z-562 096.000.008	2		
29	Spacing bushing I	Z-562 096.000.014	1		
30	Spring ring, Z - 30	PN/M - 85111	2		
31	Plain washer, Ø31	PN/M - 82005	2		
32	Bolt, M10x16 5.8 - B	PN/M - 82105	6		
33	Nut, M10 5 - B	PN/M - 82175	12		
34	Wheel, Z - 16 ¾"	Z-562 096.000.017	1		
35	Drive shaft	Z-562 096.000.018	1		
36	Key, A8x7x54	PN/M - 85005	1		
37	Special washer	Z-562 096.000.019	1		
38	Spacing bushing II	Z-562 096.000.020	1		
39	Spacing bushing III	Z-562 096.000.023	1		
40	Coupling wheel, Z - 23	Z-562 096.000.021	1		
41	Clutch bush	Z-562 096.000.022	1		
42	Bolt, M6x40 10.9 - B	PN/M - 82302	1		
43	Plain washer, Ø6.5	PN/M - 82030	2		
44	Nut, M6 5 - B	PN/M - 82175	1		
45	Bearing, SA 207 (FD 207)	PN/M - 86120	1		
46	Sheet metal housing, P - 207	PN ISO 3228:1996	2		
47	Spring ring, Z - 35	PN/M - 85111	1		



Pickup, complete

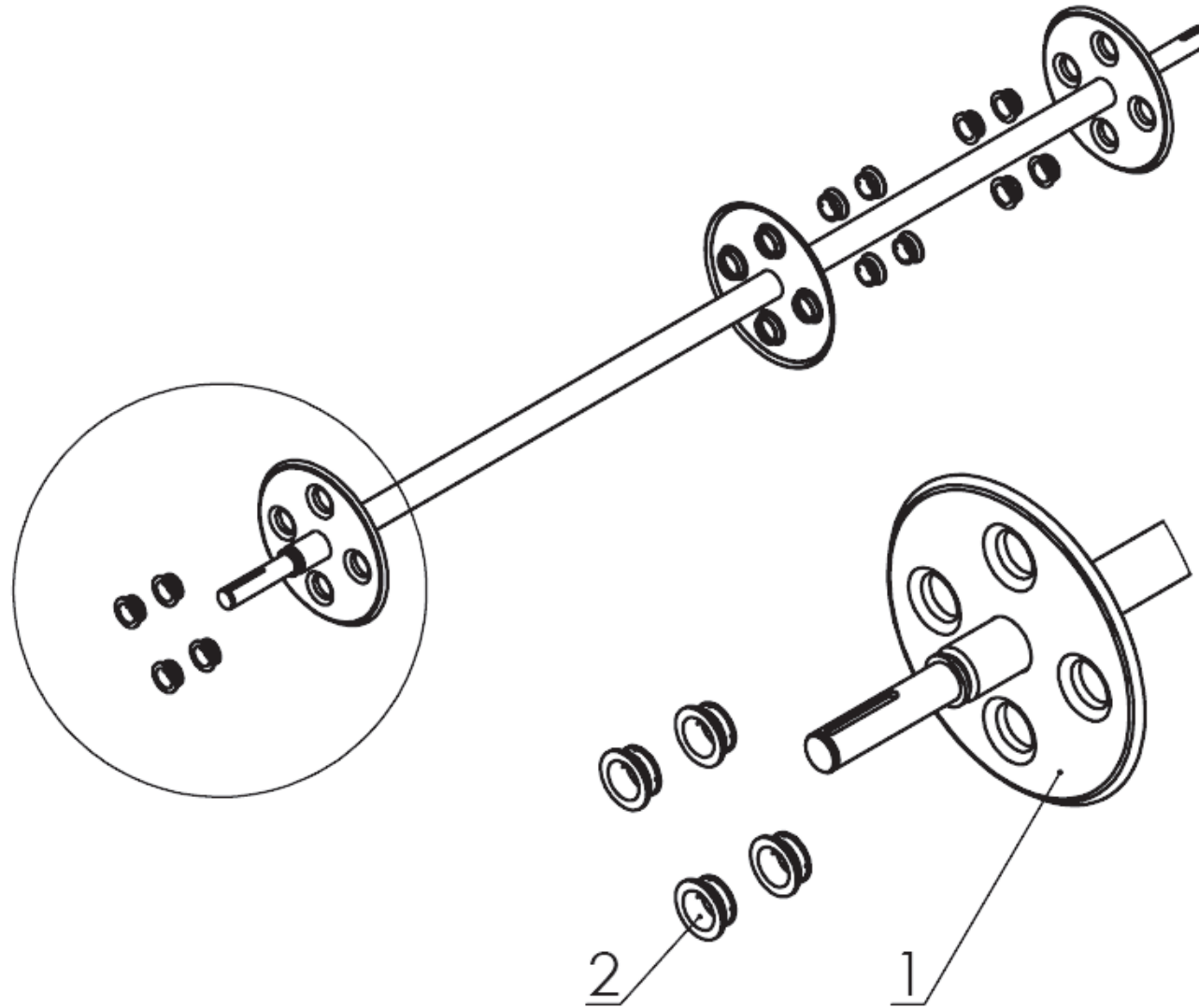
PICKUP, COMPLETE					
No. in dwg	Part name	Drawing or standard no.	Number of pieces		
			Z562	Z562/1	Z562/2
48	Guard I	Z-562 096.000.024	14		
49	Bolt, M6x16 8.8 – B	PN/M – 82105	94		
50	Plain washer, Ø6.5	PN/M – 82030	94		
51	Guard II	Z-562 096.000.025	6		
52	Left guard III	Z-562 096.000.026L	1		
	Right guard III	Z-562 096.000.026P	1		
53	Screw, M8x25 5.8 – B	PN/M – 82208	8		
54	Nut, M8 5 – B	PN/M – 82144	8		
55	Spring washer, Ø8.2	PN/M – 82008	8		
56	Plain washer, Ø8.4	PN/M – 82005	8		
57	Plain washer, Ø10.5	PN/M – 82005	12		
58	Spring washer, Ø10.2	PN/M – 82008	18		
59	Side guard, left	Z-562 096.027.000L	1		
	Side guard, right	Z-562 096.027.000P	1		
60	Pipe I	Z-562 096.000.012	16		
61	Pipe II	Z-562 096.000.013	4		
62	Spring	Z-562 096.000.015	44		
63	Bolt, M8x75 8.8 – B	PN/M – 82101	44		
64	Nut, M8 5 – B	PN/M – 82175	44		
66	Plain washer, Ø8.5	PN/M – 82030	44		
67	Plain washer, Ø10.5	PN/M – 82030	44		
68	Welded wheel	Z-562 096.016.300	2		
69	Pin – pin	Z-562 096.016.400	2		
70	Farming-type pin, Ø4	DIN 11024	2		
71	Chain stretcher	Z-562 096.000.028	3		



Pickup, complete

PICKUP, COMPLETE

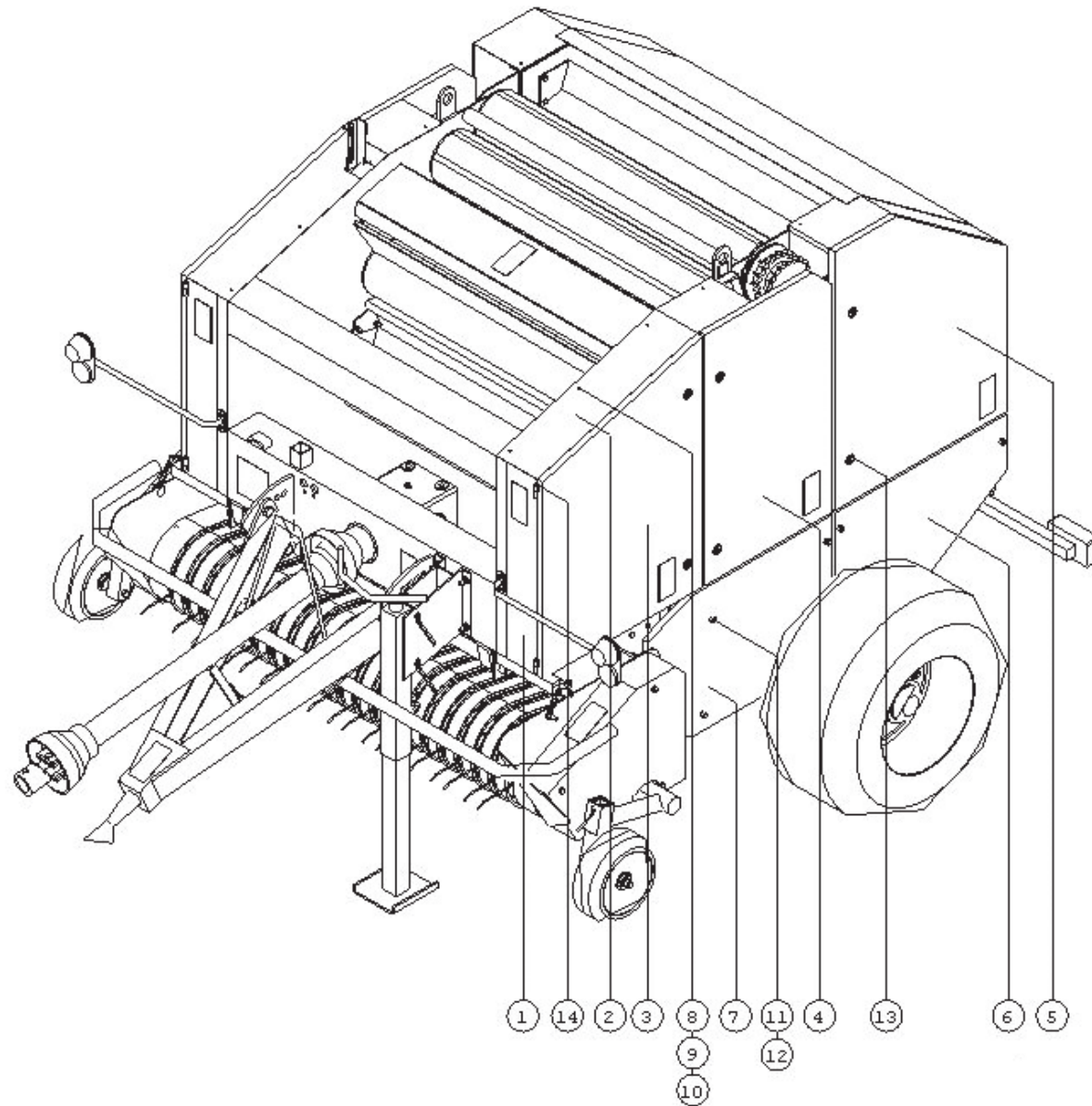
No. in dwg	Part name	Drawing or standard no.	Number of pieces		
			Z562	Z562/1	Z562/2
72	Bolt, M12x60 5.8 – B	PN/M – 82101	3		
73	Plain washer, Ø13	PN/M – 82005	3		
74	Chain, 12B ¾", 57 links	PN/M – 84168	2		
75	Chain, 12B ¾", 48 links	PN/M – 84168	1		
76	Pin II	Z-562 000.000.197	2		
77	Spring pin, 6x45	PN/M – 85023	2		
78	Spring VII	Z-562 000.000.060	1		
79	Farming chain, 8x30x50	6 links	2		
80	Bolt, M10x30 5.8 – B	PN/M – 82406	2		
81	Nut, M10 5 – B	PN/M – 82175	2		
82	Plain washer, Ø10.5	PN/M – 82030	2		
83	Bolt, M10x30 8.8 – B	PN/M – 82105	15		
84	Inner guard, right	Z-562 096.029.000P	1		
	Inner guard, left	Z-562 096.029.000L	1		
85	Chain guard	Z-562 000.014.000	1		
86	Welded axle shaft	Z-562 096.016.200	2		
87	Plastic bushing,	25TP (Z-562 096.016.005)	4		
88	Nut, M16 5 – B	PN/M – 82175	2		



Primary axle, pressed

PRIMARY AXLE, PRESSED

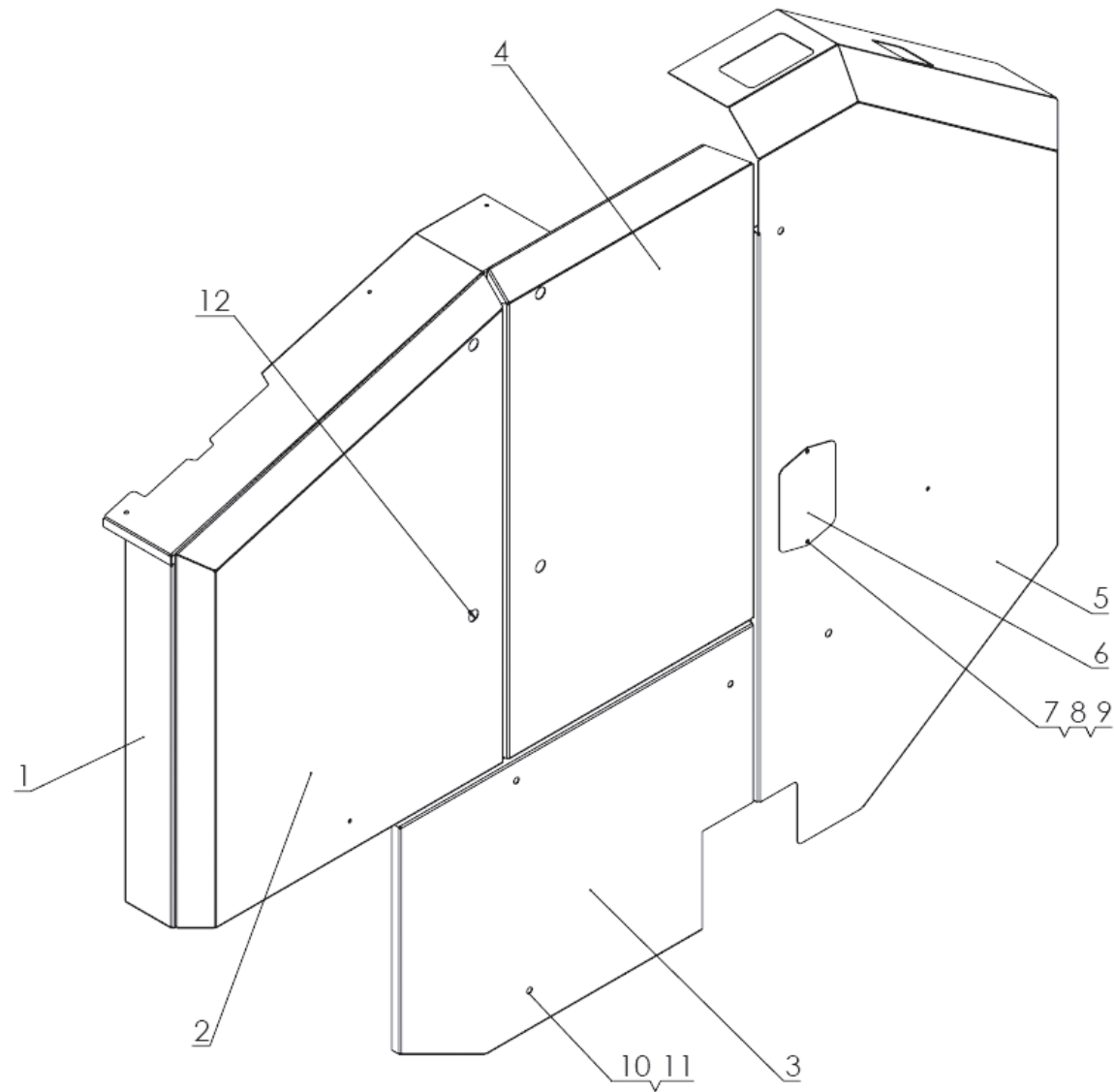
No. in dwg	Part name	Drawing or standard no.	Number of pieces		
			Z562	Z562/1	Z562/2
1	Main axle	Z562 096.005.000.1	11		
2	Bushing	Z562 096.000.009.1	12		



Left side guards

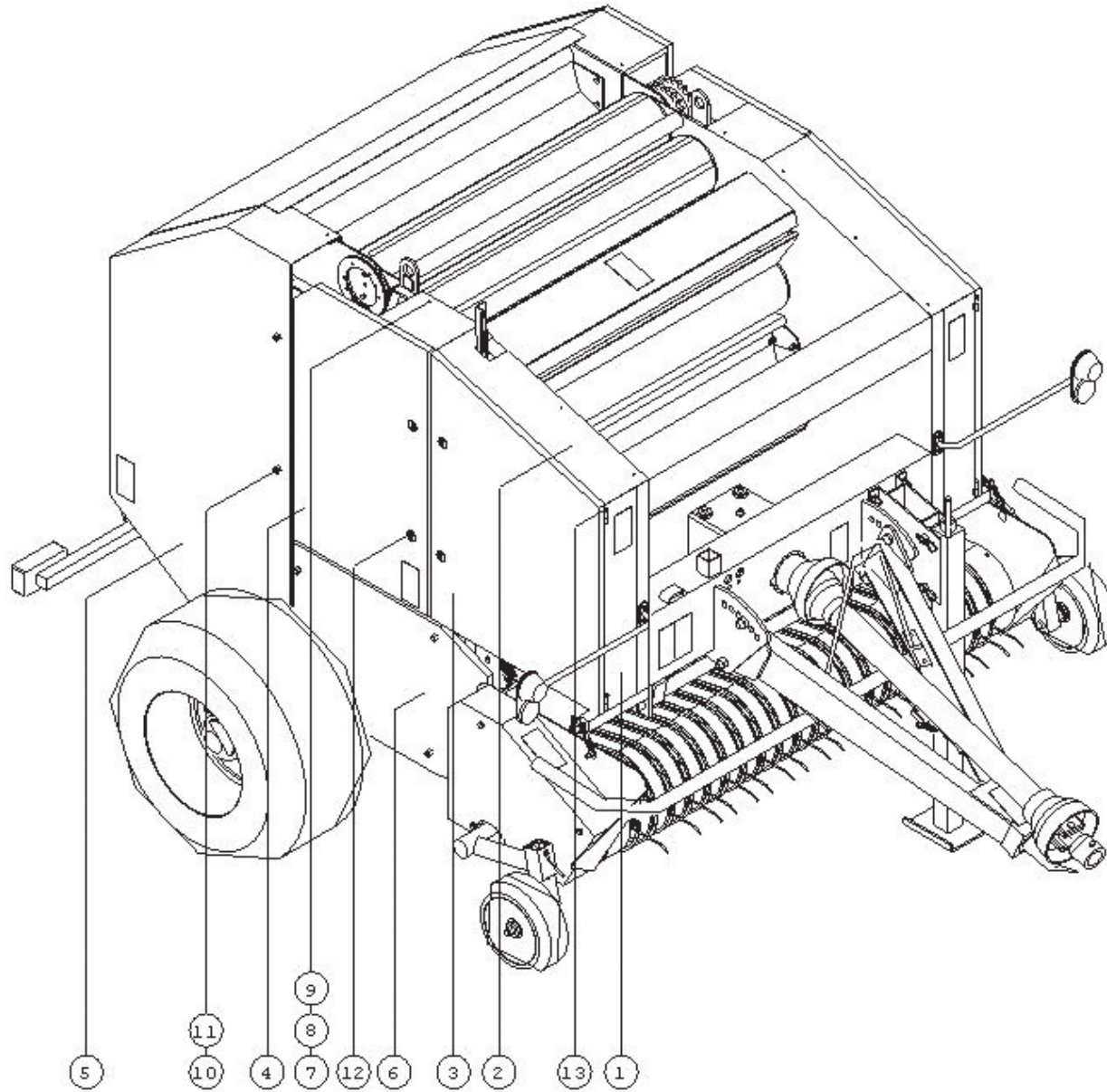
LEFT SIDE GUARDS

No. in dwg	Part name	Drawing or standard no.	Number of pieces		
			Z562	Z562/1	Z562/2
1	Front guard I, left	Z-562 000.045.000L	1		
2	Front guard II, left	Z-562 000.000.046.2L	1		
3	Side guard I, left	Z-562 000.047.000L	1		
4	Side guard II, left	Z-562 000.048.000L	1		
5	Side guard VI, left	Z-562 000.053.000.2	1		
6	Side guard III, left	Z-562 000.000.049.1	1		
7	Side guard IV, left	Z-562 000.000.050L	1		
8	Bolt, M6x16 8.8 – B	PN/M – 82105	22		
9	Plain washer, Ø6.5	PN/M – 82030	22		
10	Spring washer, Ø6.1	PN/M – 82008	22		
11	Nut, M12 5 – B	PN/M – 82181	6		
12	Plain washer, Ø13	PN/M – 82005	6		
13	Lock		6		
14	Rivet, 8x45	PN/M – 82952	2		



Left side guards, skewed

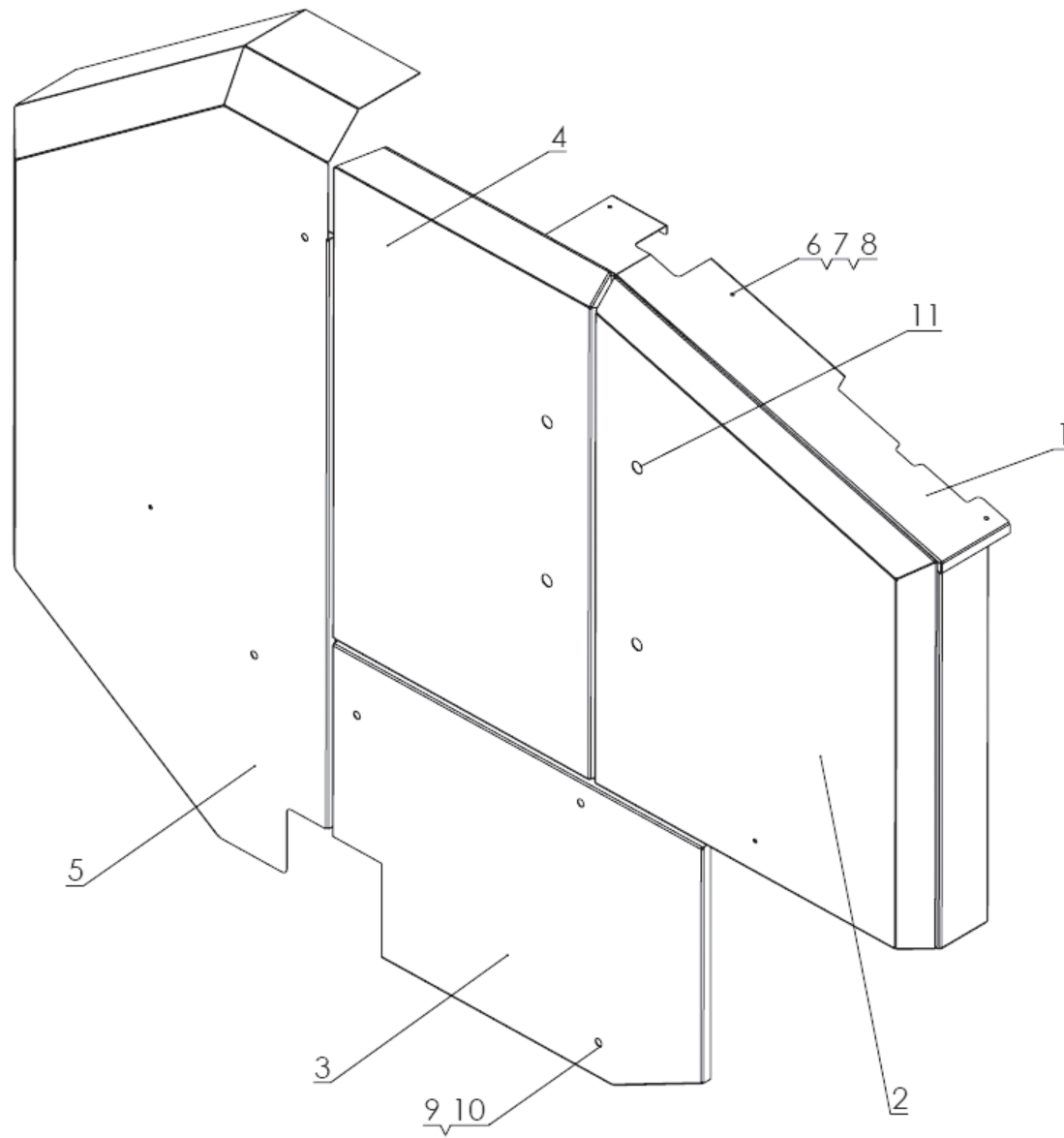
<i>LEFT SIDE GUARDS, SKEWED</i>					
No. in dwg	Part name	Drawing or standard no.	Number of pieces		
			Z562	Z562/1	Z562/2
1	Front guard I, left	Z-562 000.045.000.1RL	1		
2	Side guard I, left	Z-562 000.047.000RL	1		
3	Side guard IV L	Z-562 000.000.050L	1		
4	Side guard II, left	Z-562 000.048.000RL	1		
5	Side guard V, left	Z-562 000.000.051RL	1		
6	Cover	Z-562 000.000.214	1		
7	Bolt, M6x16 8.8 – B	POD-ELZ-000234	7		
8	Plain washer, Ø6.5	POD-ELZ-000083	7		
9	Spring washer, Ø6.1	POD-ELZ-000095	7		
10	Nut, M12 5 – B	POD-ELZ-000025	5		
11	Plain washer, Ø13	POD-ELZ-000072	5		
12	Lock	POD-ELZ-000326	4		



Right side guards

RIGHT SIDE GUARDS

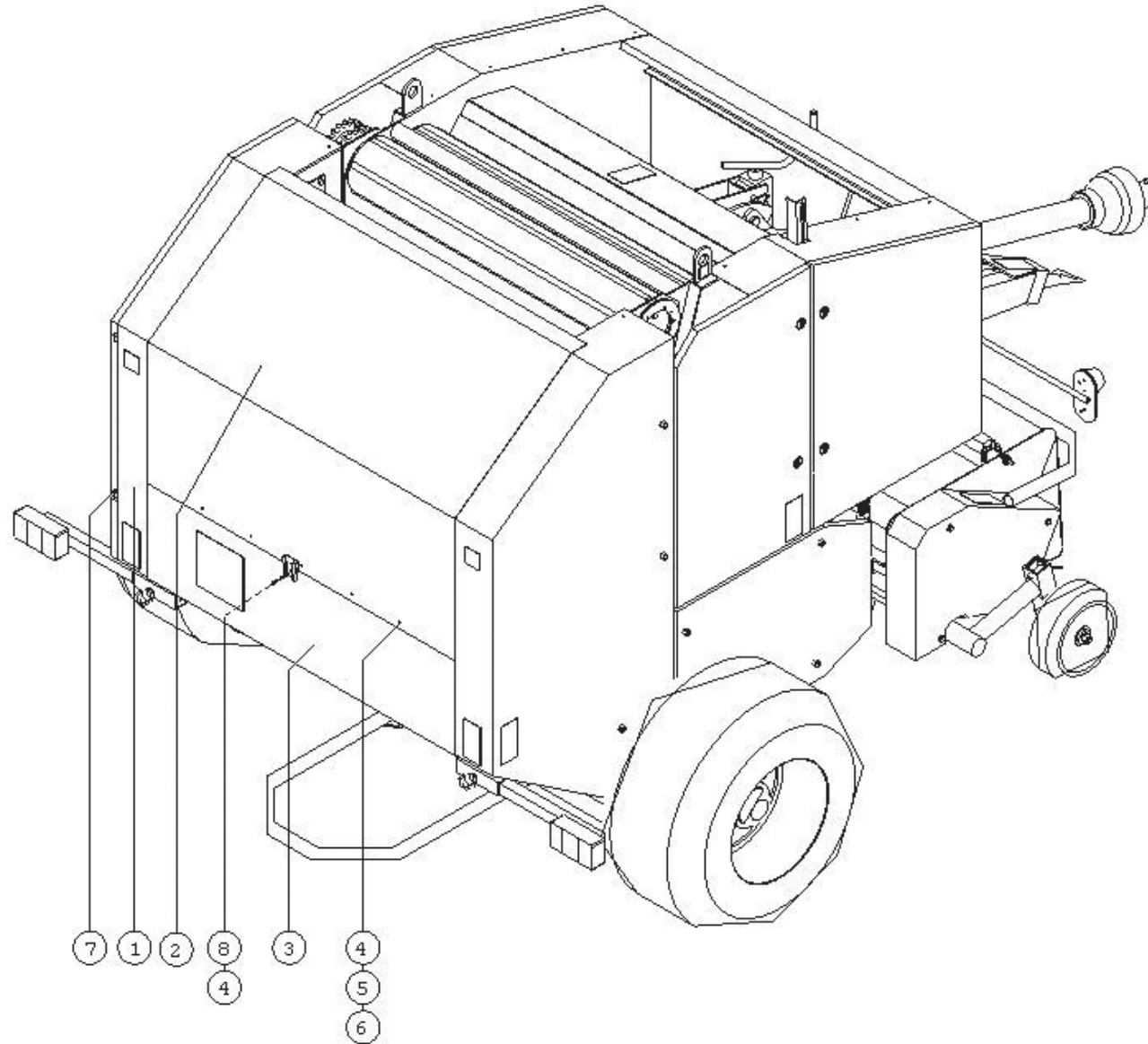
No. in dwg	Part name	Drawing or standard no.	Number of pieces		
			Z562	Z562/1	Z562/2
1	Front guard I, right	Z-562 000.045.000P	1		
2	Front guard II, right	Z-562 000.000.046.2P	1		
3	Side guard I, right	Z-562 000.047.000P	1		
4	Side guard II, right	Z-562 000.048.000P	1		
5	Side guard V, right	Z-562 000.000.051.2	1		
6	Side guard IV, right	Z-562 000.000.050P	1		
7	Bolt, M6x16 8.8 – B	PN/M – 82105	21		
8	Plain washer, Ø6.5	PN/M – 82030	21		
9	Spring washer, Ø6.1	PN/M – 82008	21		
10	Nut, M12 5 – B	PN/M – 82181	6		
11	Plain washer, Ø13	PN/M – 82005	6		
12	Lock	POD-ELZ-000326	4		
13	Rivet, 8x45	PN/M – 82952	2		



Right side guards, skewed

RIGHT SIDE GUARDS, SKEWED

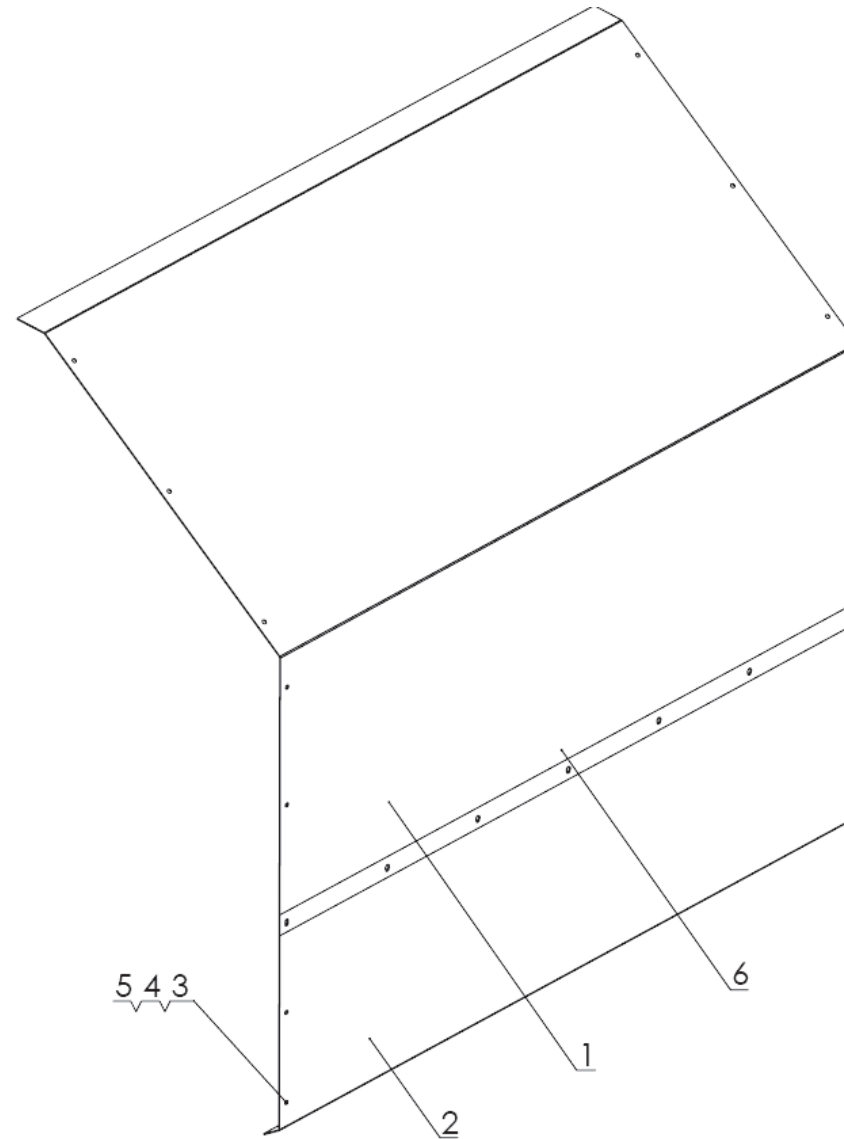
No. in dwg	Part name	Drawing or standard no.	Number of pieces		
			Z562	Z562/1	Z562/2
1	Front guard I, right	Z-562 000.045.000.1RP	1		
2	Side guard I, right	Z-562 000.047.000RP	1		
3	Side guard IV, right	Z-562 000.000.050P	1		
4	Side guard II, right	Z-562 000.048.000RP	1		
5	Side guard V, right	Z-562 000.000.051RP	1		
6	Bolt, M6x16 8.8 – B	PN/M – 82105	7		
7	Plain washer, Ø6.5	PN/M – 82005	7		
8	Spring washer, Ø6.1	PN/M – 82008	7		
9	Nut, M12 5 – B	PN/M – 82181	5		
10	Plain washer, Ø13	PN/M – 82005	5		
11	Lock	POD-ELZ-000326	4		



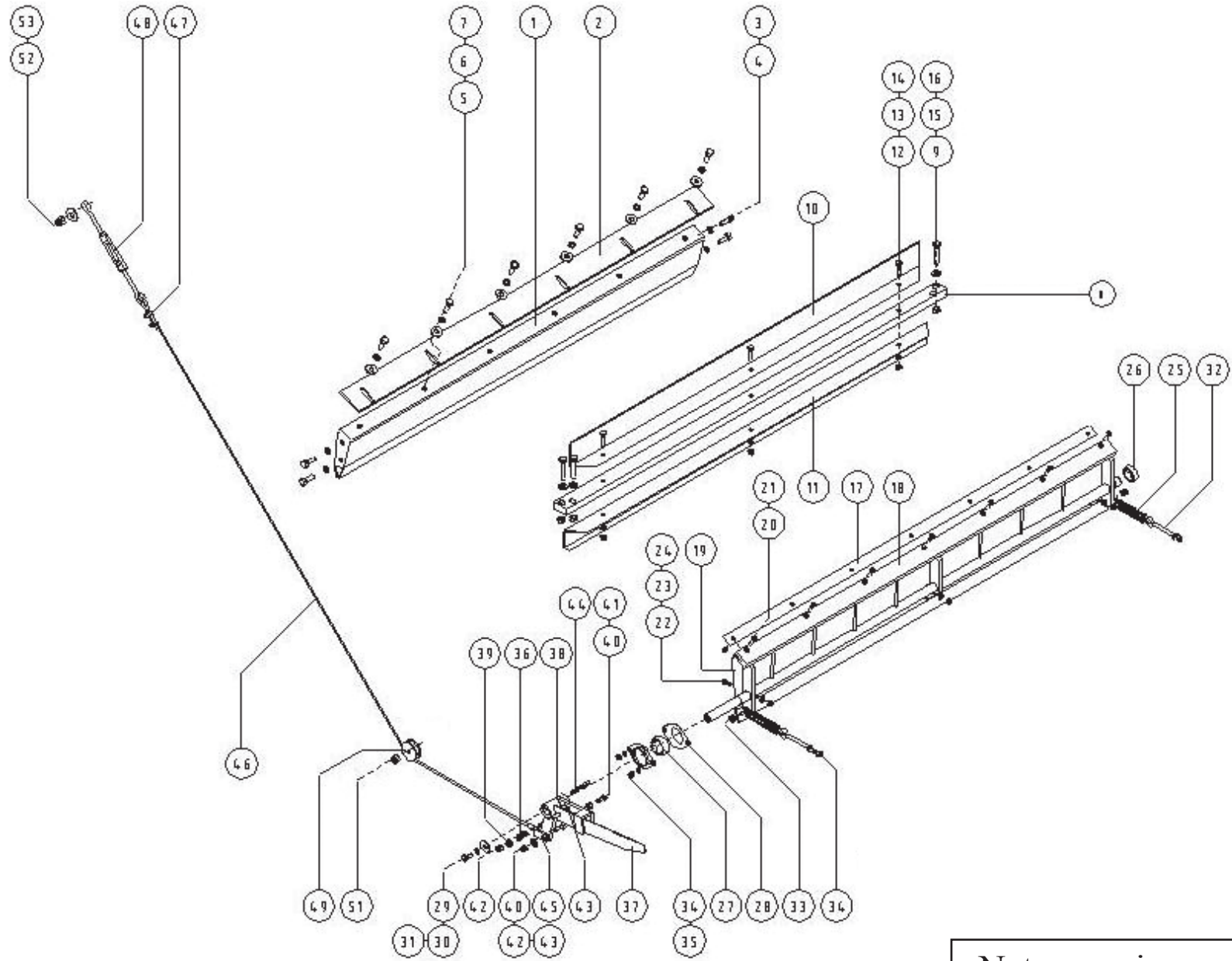
Rear guards

REAR GUARDS

No. in dwg	Part name	Drawing or standard no.	Number of pieces		
			Z562	Z562/1	Z562/2
1	Rear guard I, left	Z-562 000.052.000.1	1		
2	Rear guard II	Z-562 000.000.218	1		
3	Rear guard III	Z-562 000.219.000.1	1		
4	Screw, M6x16 8.8 - B	PN/M - 82105	6		
5	Plain washer, Ø6.5	PN/M - 82005	6		
6	Spring washer, Ø6.1	PN/M - 82008	6		
7	Rivet, 8x45	PN/M - 82952	2		
8	Warning triangle bracket	POD-OGL-000022	1		



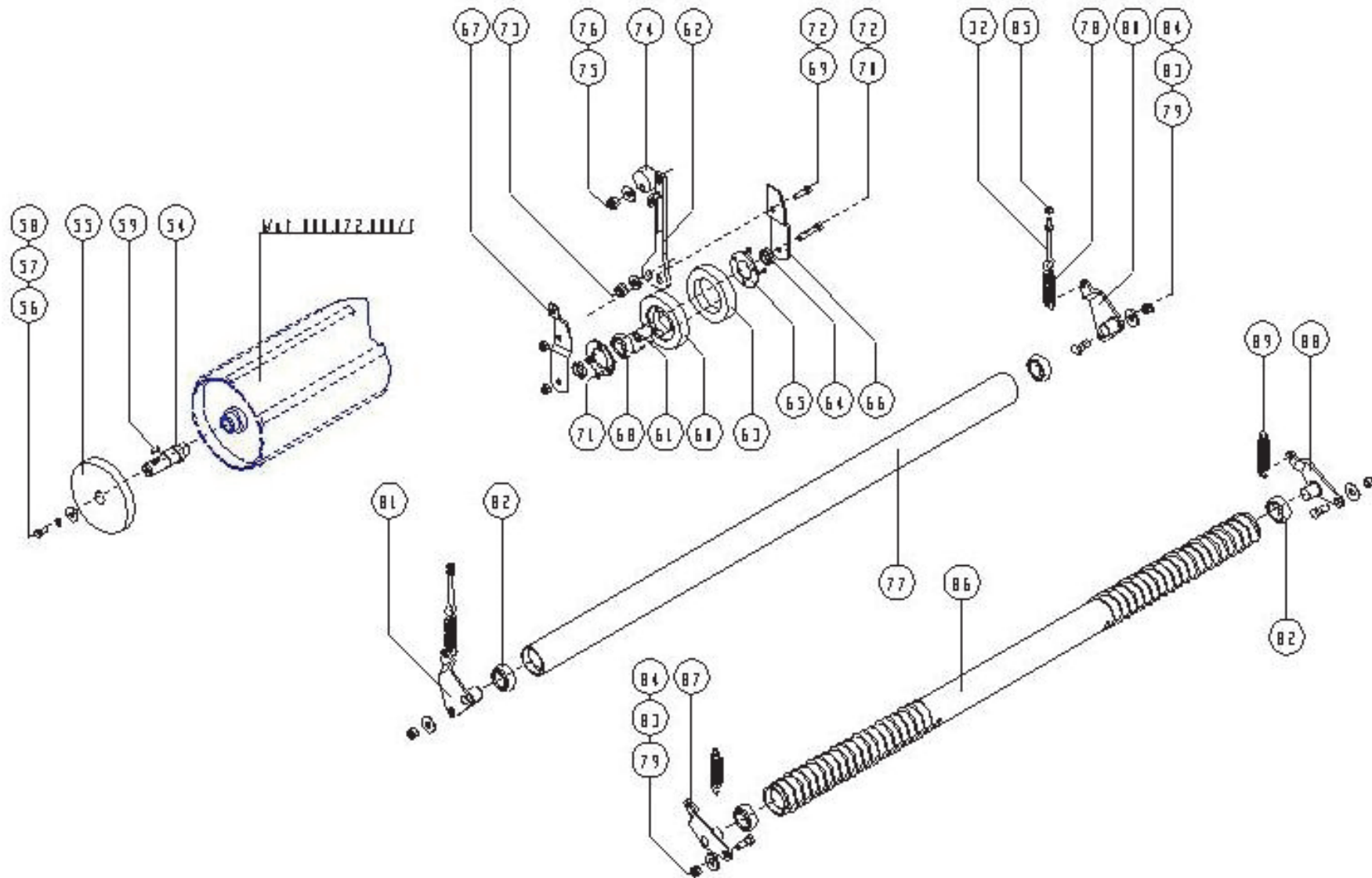
<i>REAR GUARDS</i>					
No. in dwg	Part name	Drawing or standard no.	Number of pieces		
			Z562	Z562/1	Z562/2
1	Rear guard II	Z-562 000.000.218.1	1		
2	Rear guard III	Z-562 000.219.000.1	1		
3	Bolt, M6x16 8.8 – B	PN/M – 82105	24		
4	Plain washer, Ø6.5	PN/M – 82005	24		
5	Spring washer, Ø6.1	PN/M – 82008	24		
6	Warning triangle bracket	POD-OGL-000022	1		



Net wrapping mechanism

NET WRAPPING MECHANISM

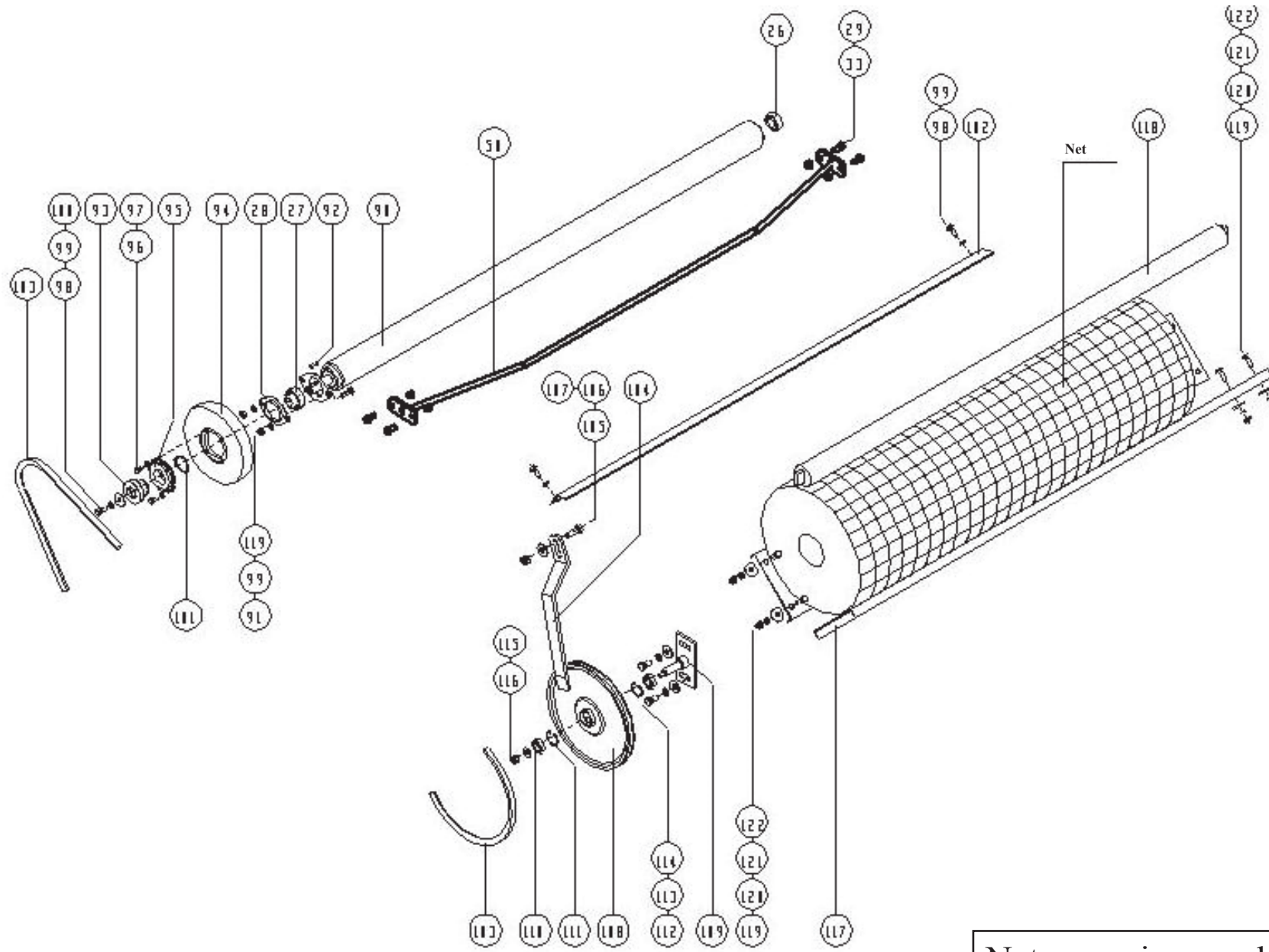
No. in dwg	Part name	Drawing or standard no.	Number of pieces		
			Z562	Z562/1	Z562/2
1	Inner guard II	Z-562 000.028.000.1	1		
2	Firmer flat bar	Z-562 000.028.006	1		
3	Bolt, M10x30 8.8 – B	PN/M – 82105	4		
4	Spring washer, \varnothing 10.2	PN/M – 82008	4		
5	Bolt, M10x30 8.8 – B	PN/M – 82105	6		
6	Plain washer, \varnothing 10.5	PN/M – 82030	6		
7	Spring washer, \varnothing 10.2	PN/M – 82008	6		
8	Counterblade	Z-562 061.001.001	1		
9	Plain washer, \varnothing 10.5	PN/M – 82005	4		
10	Guard I	Z-562 061.007.001.1	1		
11	Guard II	Z-562 061.007.002	1		
12	Bolt, M8x35 8.8 – B	PN/M – 82105	3		
13	Spring washer, \varnothing 8.2	PN/M – 82008	3		
14	Nut, M8 8 – B	PN/M – 82144	3		
15	Bolt, M10x55 8.8 – B	PN/M – 82101	4		
16	Nut, M10 8 – B	PN/M – 82144	4		
17	Blade	Z-562 061.001.101	1		
18	Blade adaptor	Z-562 061.001.100	1		
19	Guard IV	Z-562 061.007.004	1		
20	Screw, M6x30 8.8 – B	PN/M – 82207	7		
21	Nut, M6 8 – B	PN/M – 82175	7		
22	Screw, M6x20 4.8 – B	PN/M – 82207	3		
23	Plain washer, \varnothing 6.5	PN/M – 82030	3		
24	Nut, M6 8 – B	PN/M – 82175	3		



Net wrapping mechanism

NET WRAPPING MECHANISM

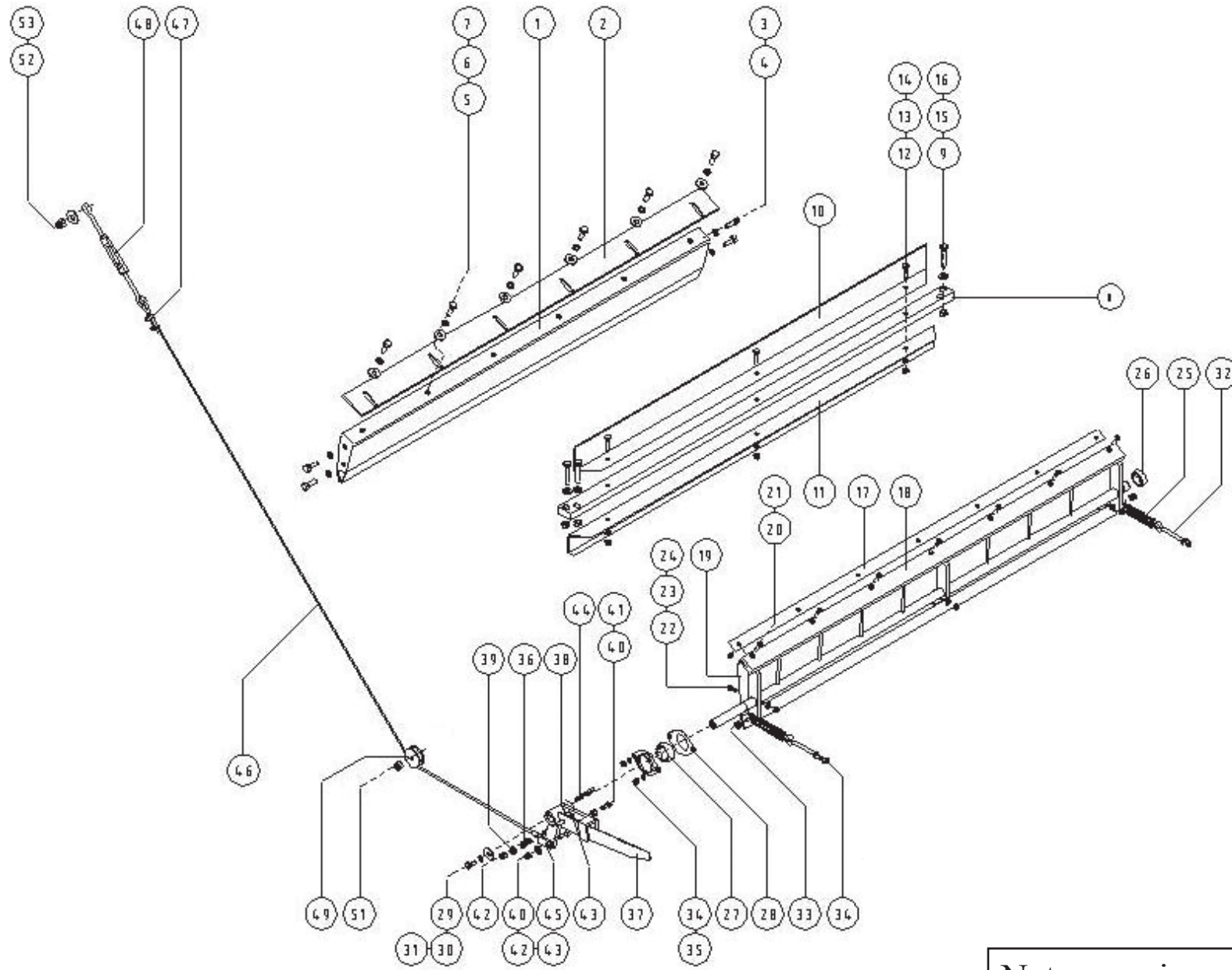
No. in dwg	Part name	Drawing or standard no.	Number of pieces		
			Z562	Z562/1	Z562/2
25	Spring	Z-562 061.001.003	2		
26	Bearing, 6004 2RS	PN/M - 86100	2		
27	Self-aligning bearing, FD204	PN/M - 86120	2		
28	Bearing mount	T204	4		
29	Bolt, M8x20 8.8 - B	PN/M - 82105	5		
30	Plain washer, \varnothing 8.5	PN/M - 82030	1		
31	Spring washer, \varnothing 8.2	PN/M - 82008	1		
32	Bolt, CD, M8x70	BN - 1902 - 28	4		
33	Nut, M8 8 - B	PN/M - 82175	6		
34	Nut, M8 8 - B	PN/M - 82144	6		
35	Spring washer, \varnothing 8.2	PN/M - 82008	2		
36	Spring	Z-562 061.005.704	1		
37	Measuring blade	Z-562 061.005.701	1		
38	Measuring body	Z-562 061.005.800	1		
39	Washer, \varnothing 10.5	PN/M - 82030	1		
40	Bolt, M8x25 8.8 - B	PN/M - 82105	2		
41	Nut, M8 8 - B	PN/M - 82144	1		
42	Nut, M8 8 - B	PN/M - 82175	2		
43	Plain washer, \varnothing 8.5	PN/M - 82030	1+1		
44	Parallel key, A6x6x63	PN/M - 85005	1		
45	Fork	Z-562 061.010.004	1		
46	Cable	Z-562 061.010.002	1		
47	Bow clamp, 6.5	PN/M-80241	2		



Net wrapping mechanism

NET WRAPPING MECHANISM

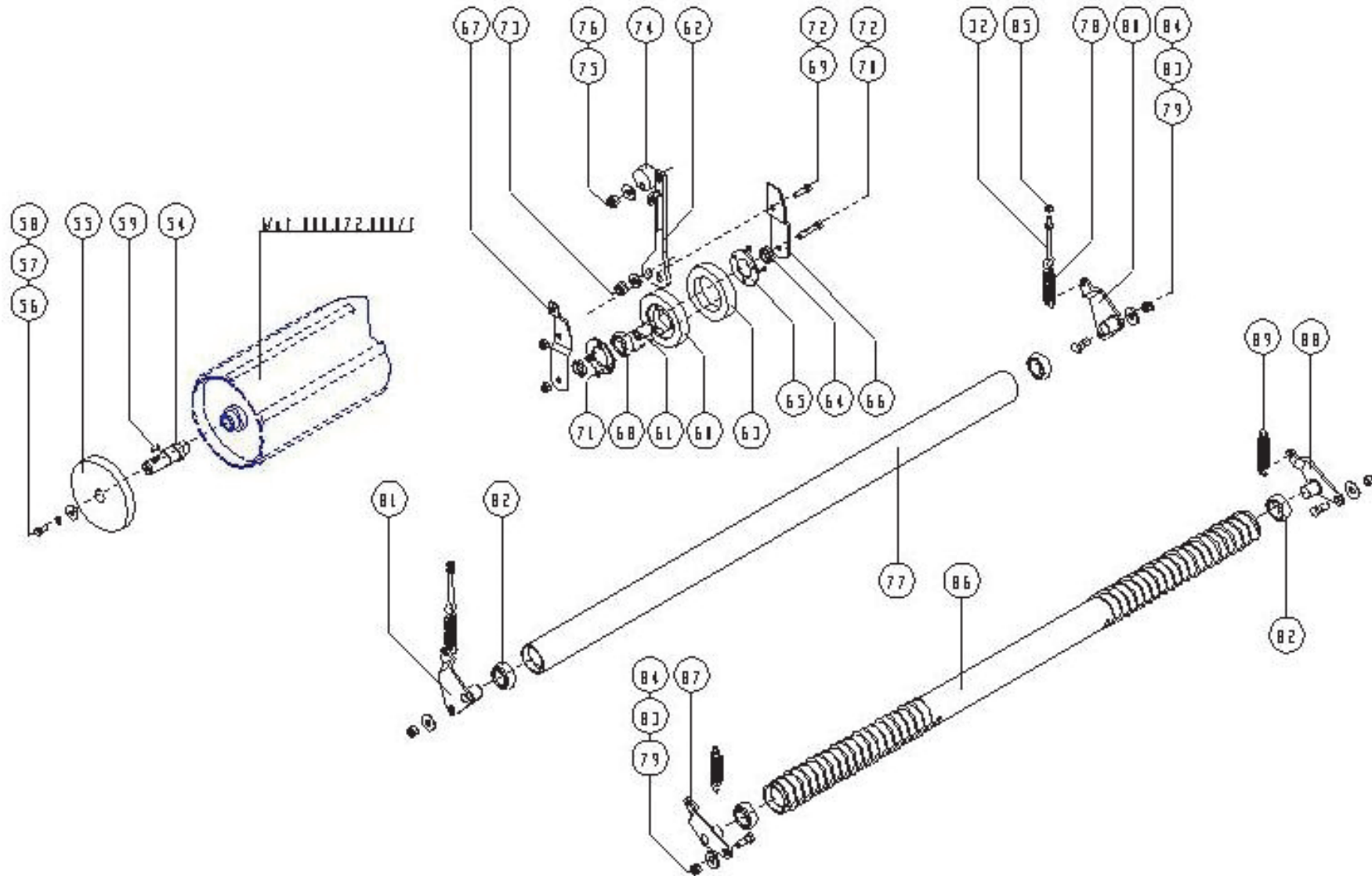
No. in dwg	Part name	Drawing or standard no.	Number of pieces		
			Z562	Z562/1	Z562/2
48	Tensioning nut, complete, M8x110	DIN 1480	1		
49	Cable wheel	Z-562 061.010.100	1		
50	Welded spreading bar	Z-562 061.011.210	1		
51	Nut, M10 8 – B	PN/M – 82175	1		
52	Plain washer, \varnothing 13	PN/M – 82030	1		
53	Nut, M12 8 – B	PN/M – 82175	1		
54	Disc pivot	Z-562 061.005.003.1	1	Pivot, RH thread	
(54)	Disc pivot	Z-562 061.005.003	1	Pivot, LH thread	
55	Disc I	Z-562 061.005.004	1		
56	Bolt, M8x20 8.8 – B	PN/M – 82105	1		
57	Plain washer, \varnothing 8.5	PN/M – 82030	1		
58	Spring washer, \varnothing 8.2	PN/M – 82008	1		
59	Parallel key, A6x6x20	PN/M – 85111	1		
60	Inner intermediate disc	Z-562 061.005.051	1		
(60)	Intermediate disc	Z-562 061.005.005	1		
61	Bushing	Z-562 061.005.006	1		
62	Tensioning arm	Z-562 061.005.070	1		
63	Rubber-coated intermediate disc	Z-562 061.005.052	1		
64	Washer	Z-562 061.005.010	2		
65	Lid	Z-562 061.005.011	2		
66	Lever sheet	Z-562 061.005.101.1	1	For disc Z-562 061.005.002.1	
(66)	Lever sheet	Z-562 061.005.101	1		
67	Lever sheet I	Z-562 061.005.102.1	1	For disc Z-562 061.005.002.1	
(67)	Lever sheet I	Z-562 061.005.102	1		
68	Bearing, 6004 2RS	PN/M – 86100	1		
69	Bolt, M8x30 8.8 – B	PN/M – 82105	1		



Net wrapping mechanism

NET WRAPPING MECHANISM

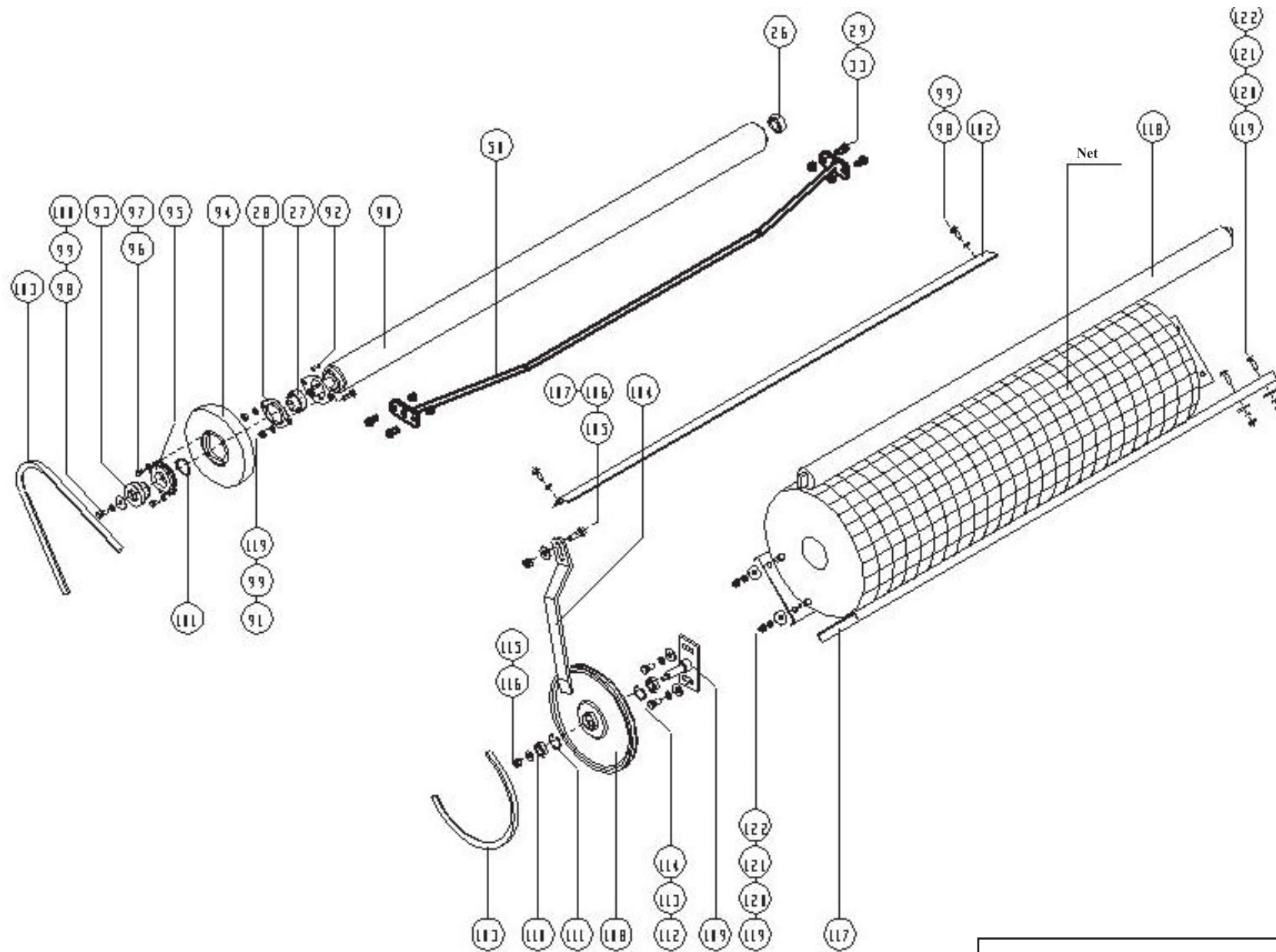
No. in dwg	Part name	Drawing or standard no.	Number of pieces		
			Z562	Z562/1	Z562/2
70	Bolt, M8x45 8.8 – B	PN/M – 82105	1		
71	Screw, M5x8 4.8 – B	PN/M – 82208	6		
72	Nut, M8 8 – B	PN/M – 82175	2		
73	Nut, M12 8 – B	PN/M – 82175	1		
74	Stop	Z-562 061.005.017	1		
75	Nut, M10 8 – B	PN/M – 82175	1		
76	Plain washer, \varnothing 10.5	PN/M – 82030	1		
77	Tube	Z-562 061.002.001	1		
78	Spring	Z-562 061.002.002	2		
79	Roller bolt	Z-562 061.003.004	4		
80	Left arm	Z-562 061.002.200	1		
81	Right arm	Z-562 061.002.300	1		
82	Bearing, 6205 2RS	PN/M – 86100	4		
83	Nut, M10 8 – B	PN/M – 82175	4		
84	Plain washer, \varnothing 13	PN/M – 82030	4		
85	Nut, M8 8 – B	PN/M – 82144	4		
86	Stretching roller	Z-562 061.003.000	1		
87	Right arm	Z-562 061.002.100	1		
88	Left arm	Z-562 061.002.200	1		
89	Spring	Z-562 061.003.003	2		
90	Rubber roller	Z-562 061.002.100	1		
91	Nut, M8 8 – B	PN/M – 82144	2		
92	Parallel key, A6x6x20	PN/M – 85005	1		
93	Slow-speed hub	Z-562 061.005.001	1		
(94)	Driving disc	Z-562 061.005.002	1		



Net wrapping mechanism

NET WRAPPING MECHANISM

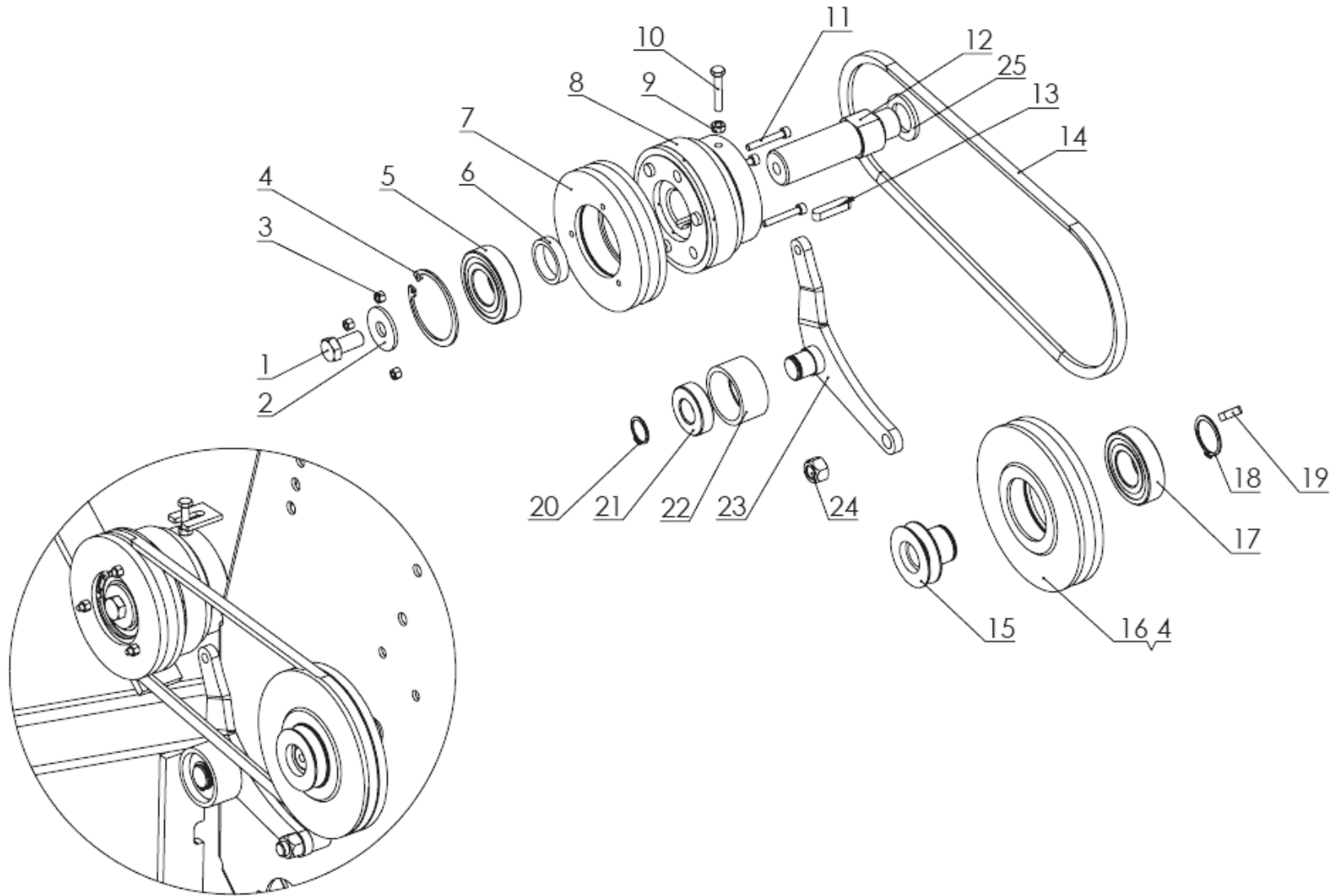
No. in dwg	Part name	Drawing or standard no.	Number of pieces		
			Z562	Z562/1	Z562/2
94	Driving disc	Z-562 061.005.002.1	1		
95	Slow-speed, Z - 18		1		
96	Bolt, M6x16 8.8 - B	PN/M - 82105	4		
97	Plain washer, \varnothing 6.4	PN/M - 82005	4		
98	Bolt, M8x20 8.8 - B	PN/M - 82105	3		
99	Spring washer, \varnothing 8.2	PN/M - 82008	5		
100	Plain washer, \varnothing 8.5	PN/M - 82030	1		
101	Spring ring, Z - 35	PN/M - 85111	1		
102	Guard III	Z-562 061.007.003	1		
103	V-belt	SPZ 1000	1		
104	Flat bar	Z-562 061.005.015	1		
105	Bolt, M10x35 8.8 - B	PN/M - 82105	1		
106	Plain washer, \varnothing 10.5	PN/M - 82030	1		
107	Nut, M10 8 - B	PN/M - 82175	1		
108	Wheel w/hub	Z-562 061.005.300	1		
109	V-belt wheel axle, welded	Z-562 061.005.500	1		
110	Bearing, 6002 2RS	PN/M - 86100	2		
111	Spring ring, W - 32	PN/M - 85111	2		
112	Bolt, M10x20 8.8 - B	PN/M - 82105	2		
113	Plain washer, \varnothing 10.5	PN/M - 82030	2		
114	Spring washer, \varnothing 10.2	PN/M - 82008	2		
115	Plain washer, \varnothing 8.5	PN/M - 82030	1		
116	Nut, M8 8 - B	PN/M - 82175	1		



Net wrapping mechanism

NET WRAPPING MECHANISM

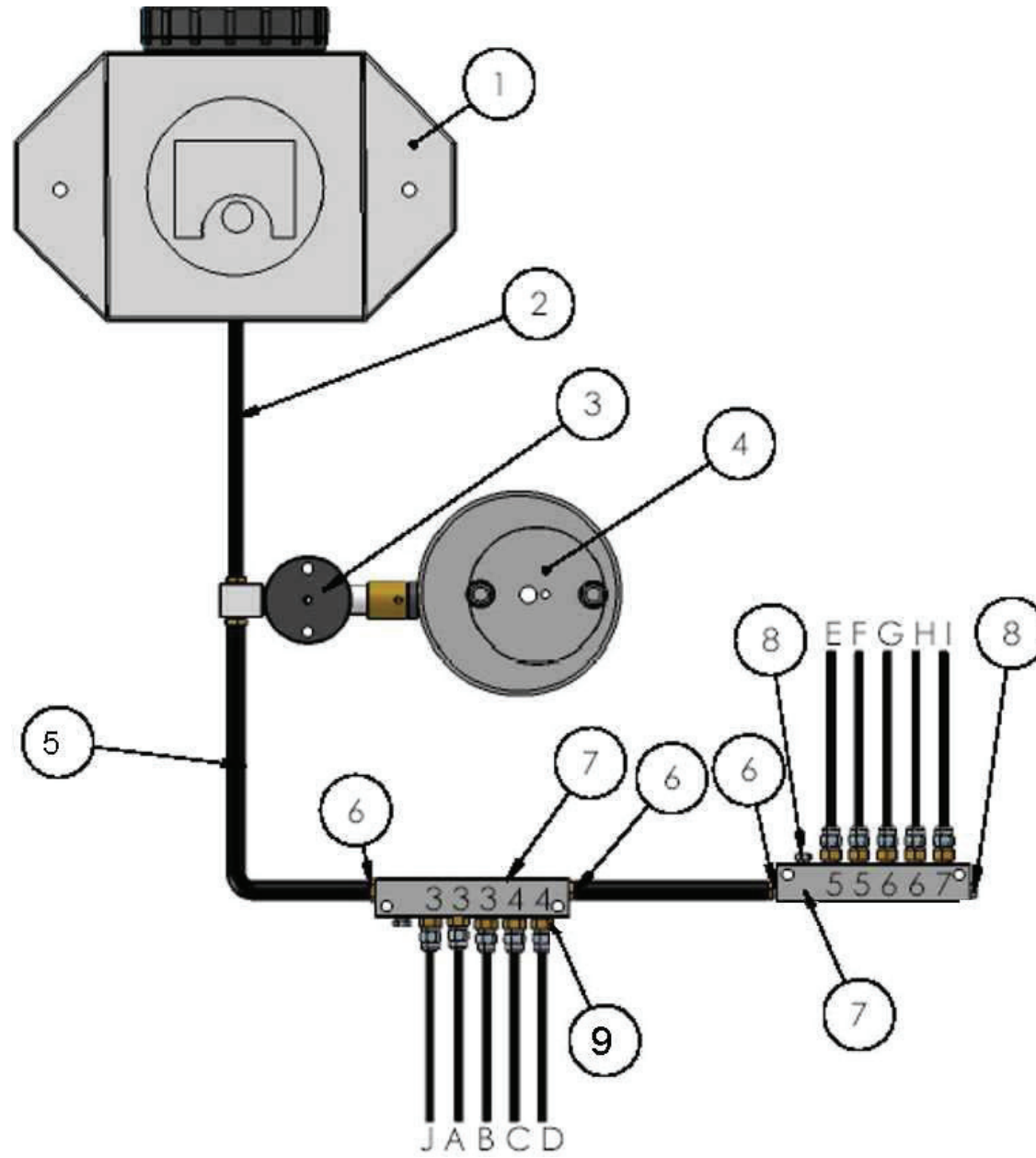
No. in dwg	Part name	Drawing or standard no.	Number of pieces		
			Z562	Z562/1	Z562/2
117	Sheet I	Z-562 061.004.001	2		
118	Brake	Z-562 061.004.100	1		
119	Screw, M8x25	PN/M - 82207	8		
120	Plain washer, \varnothing 10.5	PN/M - 82030	8		
121	Spring washer, \varnothing 10.2	PN/M - 82008	8		
122	Nut, M8 8 - B	PN/M - 82144	8		



Net wrapper electric control

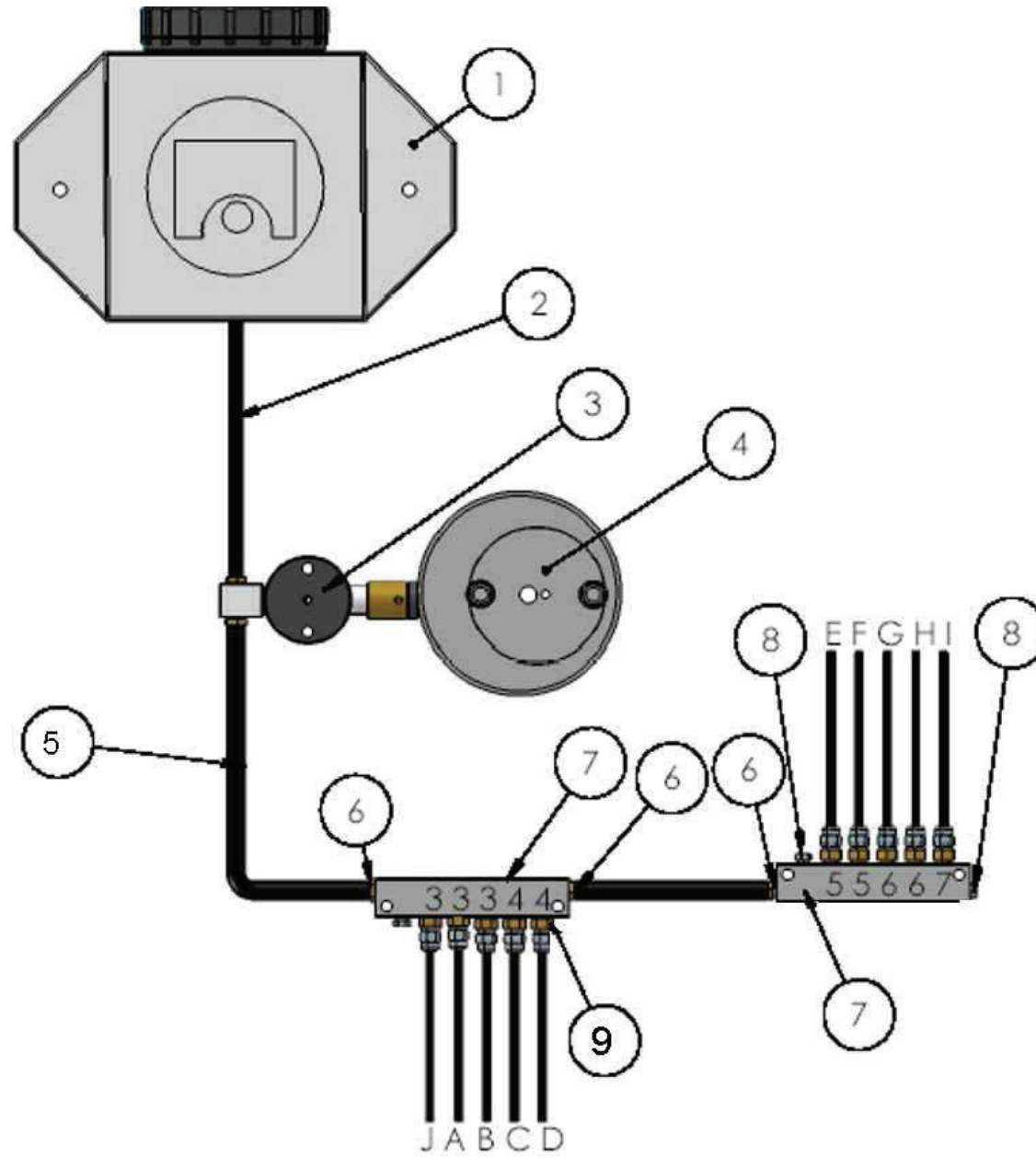
NET WRAPPER ELECTRIC CONTROL

No. in dwg	Part name	Drawing or standard no.	Number of pieces		
			Z562	Z562/1	Z562/2
1	Bolt, M12x25 82105	POD-ELZ-000161	1		
2	Enlarged washer, 12 82030	POD-ELZ-000071	1		
3	Self-locking nut, M5 82175	POD-ELZ-000471	3		
4	Seeger ring, W62	POD-ELZ-000111	2		
5	Bearing, 6206 2RS	POD-LOZ-000030	1		
6	Bushing	Z-562 061.005.021	1		
7	Pulley II	POD-TSZ-000079	1		
8	Plate clutch	POD-OGL-000042	1		
9	Nut, M6 82144	POD-ELZ-000041	1		
10	Bolt, M6x35 82105	POD-ELZ-000238	1		
11	Allen bolt, M5x35 82302	POD-ELZ-000473	3		
12	Pin Z562 061.005.003.2	POD-ELZ-000255	1		
13	Key, A8x7x36	POD-ELZ-000321	1		
14	V-belt SPZ900	POD-TSZ-000001-1	1		
15	Slow-speed hub Z562 061.005.001.1	POD-EOS-000104	1		
16	Pulley I	Z562 061.005.402.1	1		
17	Unidirectional clutch, ZZ6206	POD-OGL-000037-1	1		
18	Seeger ring, Z30	POD-ELZ-000119	1		
19	Key, A6x6x20	POD-ELZ-000317	1		
20	Seeger ring, Z20	POD-ELZ-000117	1		
21	Bearing, 6004	POD-LOZ-000042	1		
22	Cam follower Z562 061.005.413	POD-TSZ-000080	1		
23	Tensioning arm	Z-562 061.005.410	1		
24	Self-locking nut, M12 82175	POD-ELZ-000046	1		
25	Washer, Nord-Lock NL24	POD-ELZ-000483	1		



CENTRAL LUBRICATION SYSTEM

No. in dwg	Part name	Drawing or standard no.	Number of pieces		
			Z562	Z562/1	Z562/2
1	Tank assembly				
	Oil tank, complete	STS	1		
	Oil filter	FP3320	1		
	Bolt, M8x40	PN 82105	2		
	Washer 8	PN 82030	2		
	Nut, M8	PN 82175	2		
2	Power cord	Ø9x2	1		
3	Pump assembly				
	Pump	PMM2CD	1		
	Guide		1		
	Pump console	Z-562 062.000.100	1		
	Bolt, M6x40	PN 82105	2		
	Washer 6	PN 82030	2		
	Nut, M6	PN 82175	2		
	Bolt, M8x20	PN 82105	2		
	Nut, M8	PN 82175	2		
4	Eccentric wheel assembly				
	Eccentric wheel	CAMKR	1		
	Rawlplug Ø6x26		1		
5	Line	Ø8x1.5			
6	Stud coupling,	F1KR	3		
7	Directional control valve assembly				
	Directional control valve	MFD6X	2		
	Bolt, M6x30	PN 82105	4		
8	Plug	B516	3		



CENTRAL LUBRICATION SYSTEM

No. in dwg	Part name	Drawing or standard no.	Number of pieces		
			Z562	Z562/1	Z562/2
9	Dosing tip	IM23	3		
		IM24	2		
		IM25	2		
		IM26	2		
		IM27	1		
		Nut	N532	10	
	Stopping ring	EO532	10		
10	Line	Ø4x0.85			
11	Brush tip assembly				
	Angle coupling	EQU516	10		
	Nut	N532	10		
	Stopping ring	EO532	10		
	Single brush tip	ABR516	9		
	Double brush tip	ABR81CL	1		