



LEHNER®

Streuen & Dosieren mit 12 Volt

Drive

12 V

Fan

1-100%
stepless

Spreading width

<12 m>
max.

Outlets

8 | 16
hoses

Control panel



VENTO II



Videos



120 l

230 l

360 l

500 l

AGRICULTURAL MACHINERY

VENTO®

Pneumatic hose spreader with high-powered 12 V fan for reliably dispensing grass, catch and cover crops, fertilisers and other granular products.

MORE PRODUCTIVE. MORE USER-FRIENDLY. MORE FLEXIBLE – VENTO®

With the VENTO® pneumatic hose spreader and its infinitely adjustable, extra powerful 12 V fan, you can spread mixtures of fine and large seeds, catch and cover crops, micro-granulates, fertiliser and grass much more efficiently and cheaply than with a hydraulic machine. The VENTO® also masters high sowing rates (e.g. 40 kg/ha grass or 120 kg/ha seed) without problem. On the VENTO II, all functions and adjustments can be controlled on the control panel, and changed while on the move. Depending on which version of the VENTO® you have, working widths from 1 to 6 or 12 m can be achieved effortlessly.

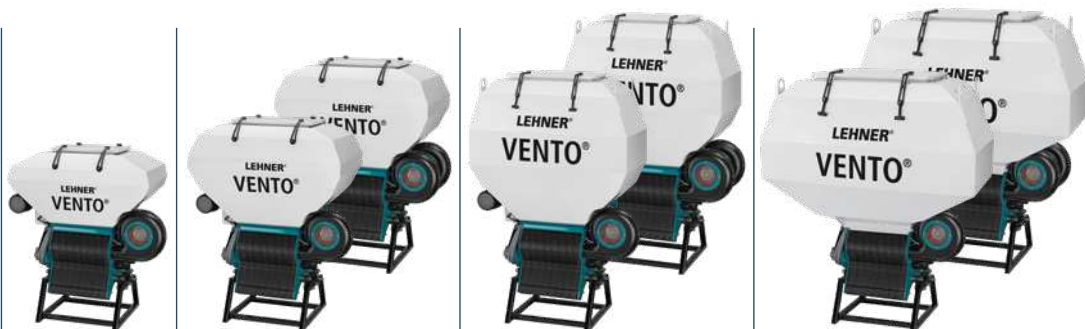
The VENTO® impresses in every respect:

- 12 V high-powered fan (1 or 2)
- Hopper (in 4 sizes) with flap for residue emptying
- Control panel with 3.3 inch graphic display
- Speed-dependent dosing and headland management system as standard
- Agitator with empty indicator in the hopper
- Also supplied as standard with:
 - 8 or 16 baffle plates with U-brackets for mounting
 - 1 or 2 rotary feeder shafts (2x 5.0 ml blue/outlet) and star feeder set
 - LEHNER Superflex hose (25 m or 50 m)
 - 1 or 2 calibration bags, and scale for calibration tests
 - Battery cable 6 mm² (6 m); control cable (6 m)
 - Transport and mounting frame



For further information visit: www.lehner.eu

VENTO® TECHNICAL DATA



Hopper capacity (litres)	120 l		230 l		360 l		500 l	
Hose outlets	8		8	16	8	16	8	16
Dimensions (LxWxH) in mm	919x527x1.009		947x570x1,199		995x568x1,335		1,155x755x1,472	
No. of fans / spreading width	1x / up to 6m	1x/ up to 6m	2x/ up to 12m	1x/ up to 6m	2x / up to 12m	1x/ up to 6m	2x / up to 12m	
Weight	61 kg	67 kg	78 kg	86 kg	107 kg	105 kg	177 kg	
Power consumption, total	max. 33 A	max. 33 A	max. 45 A	max. 33 A	max. 45 A	max. 33 A	max. 45 A	
Power consumption, motor	10 A	10 A		10 A		10 A		
Operating temp./storage temp.	-10 to +50 °C		-10 to +50 °C		-10 to +50 °C		-10 to +50 °C	
Battery cable / control cable	6 m / 6 m		6 m / 6 m		6 m / 6 m		6 m / 6 m	



■ Working width of up to 12 m for nurse crops



Reseeding grassland with the VENTO®



Non-standard uses possible thanks to 12 V drive

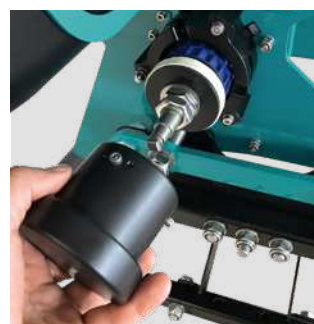


Sowing a catch crop while cultivating



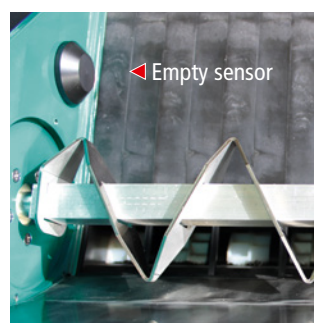
The VENTO II control panel with 3.3 inch graphic display leaves no wish unfulfilled.

On the VENTO II, all functions can be controlled centrally. Control of all features – whether speed-dependent dosing, electric calibration, or automated residue emptying – is completely user-friendly, simple and self-explanatory. Even the fan speed and rotary feeder shaft monitoring can be adjusted directly on the control panel. A choice of 18 languages and a program memory for up to 75 calibration tests make your work even more agreeable.



Tool-free handling

For changing the rotary feeder shaft with various cells for different spreading materials (fine, medium, large), no tools are required. They are not needed for attaching and detaching hoses either.



Agitator with empty indicator

In the hopper, an agitator with an ideal transmission ratio ensures an efficient and gentle flow – for slow-flowing materials as well. Moreover, an empty indicator lets you know when the minimum level has been reached.

The VENTO® comes as standard with:



Battery cable 6 mm² (6 m)

The VENTO® is powered solely via the supplied 6 mm² battery cable. The battery cable is routed directly from the battery into the cab (holder included in delivery). The cable is protected by a plug-in fuse (40A).



Rotary feeder shaft

The VENTO® comes with a blue rotary feeder shaft 2x 5.0ml per outlet, and an additional set of star feeders. This comprises green 2.5 ml cells, red 10.0ml cells, and dummy cells, so that mixtures of fine seeds and large legumes, small seed crops and micro granulate, can be dispensed.



Baffle plate

The VENTO® comes as standard with 8 or 16 baffle plates with U-brackets. The baffle plate can therefore easily be fixed to a square tube (40x40 mm). Square tube not included in delivery.

ACCESSORIES

For further information, go to www.lehner.eu



Y-splitter cable, 7-pin diode plug on 2x 7-pin diode socket.



Headland management system with hydraulic sensor and magnet for tractors without 7-pin signal socket.



AccoSat GPS receiver speed sensor using DGPS and a 3D accelerometer.



Wheel speed sensor, as an alternative in case the 7-pin signal socket cannot register the speed signal.



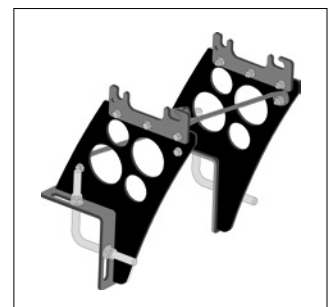
ISOBUS cable (3.5 m) for supplying power via the ISOBUS socket.



Extension cable with push-in connection: Length 3, 4 or 5 m (non-standard lengths on request).



Dummy plug for sealing individual hose outlets.



VENTO® universal bracket for easy attachment to a square tube (not suitable for 500 l hopper).



LEHNER®
Streuen & Dosieren mit 12 Volt